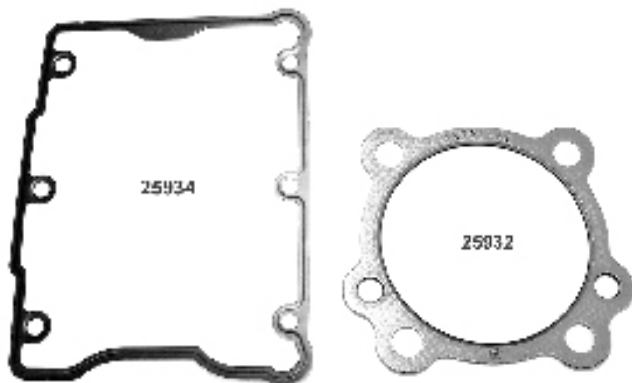


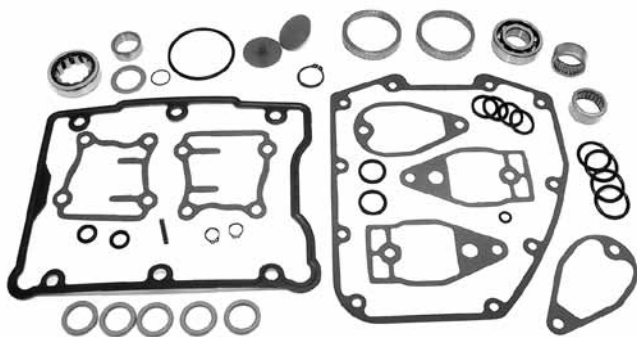
Section 17

Topline TC Gaskets



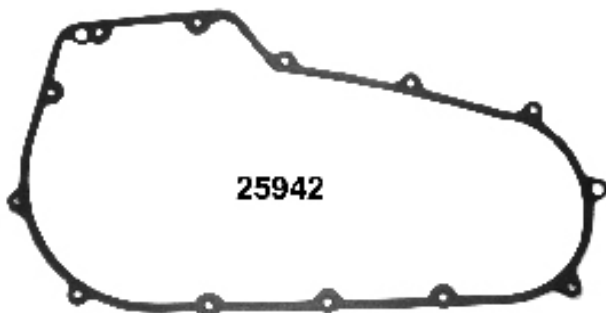
Topline Twin Cam Gaskets

PCP	Description
25930	Gasket, rocker housing (16719-99B) (pr)
25932	.055 Graphite 1550cc head gasket (16787-99A) (pr)
25934	Rocker cover (17386-99A) (pr)
25935	Breather cover (17591-99) (10 pk)
25936	Breather baffle (17592-99) (10 pk)
25937	Lifter cover (18635-99) (10 pk)
25938	Cam cover (25244-99A) (5 pk)



Topline TC Cam Service Kit

Includes all necessary parts for a cam service.
25933 Kit (17045-99C)



Topline Primary Gaskets

PCP	Application (Sold Each)
25942	2007-on FXST Steel core with rubber coating (34901-07)
25943	2006-on FXD Beaded (60547-06)
25928	1994-04 FXST alloy w/silicone (60539-94C)
25939	1994-04 FXST metal with silicone (34901-94C)

Twin Cam Gaskets

Topline	1
James	
Top End	2-5
Transmission	6-8
Primary	9-12
Seals and Misc.	13-14

Evolution Gaskets

Topline	15
James	
Top End	16-21
Bottom End	21-23
Trans	24-27
Primary	28-31
Misc.	32-33
Preston's Evo & XL	34-38

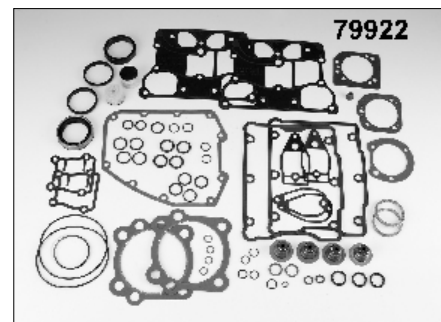
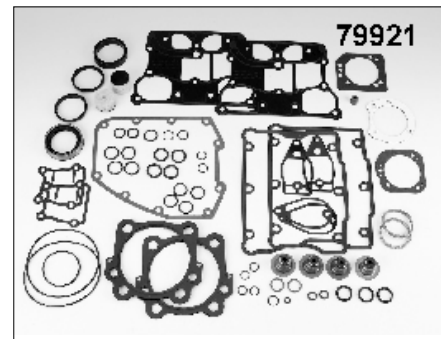
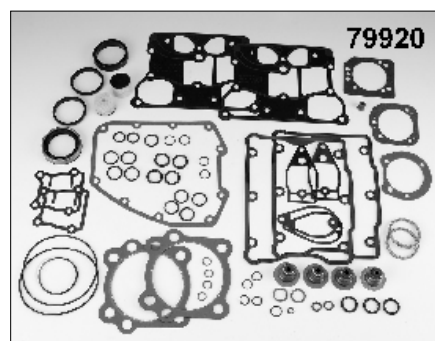
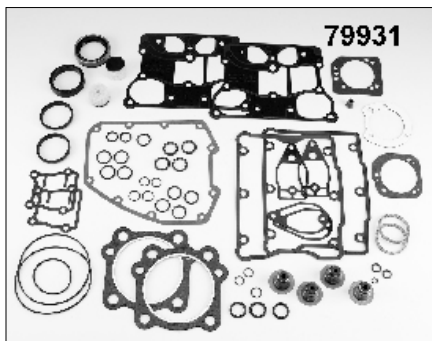
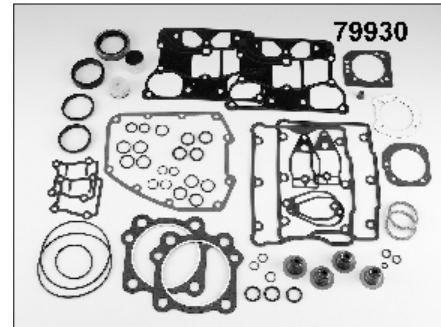
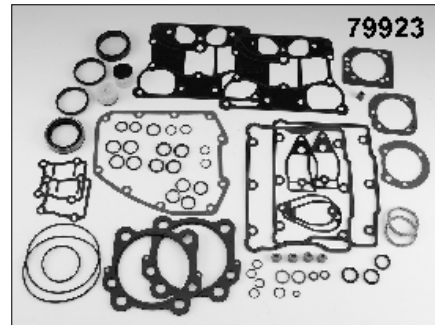
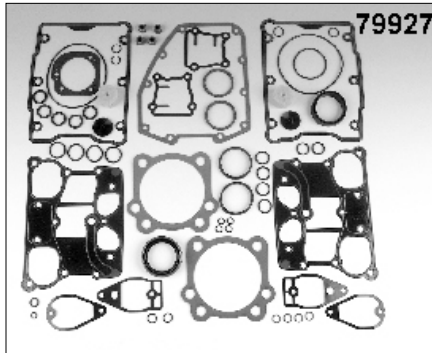
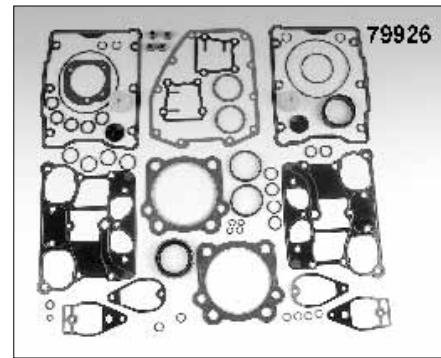
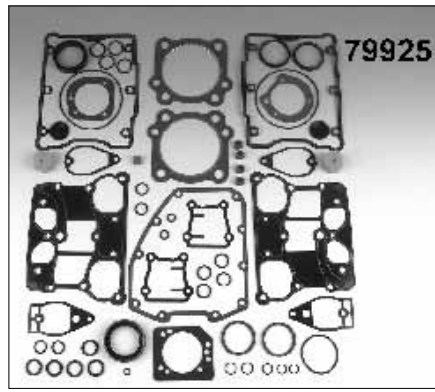
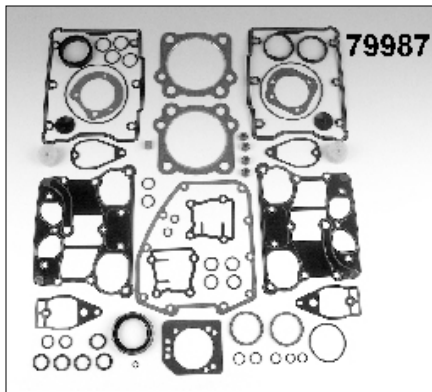
Sportster Gaskets

Topline	39-46
James	40-46



25930 Metal coated rocker base 1999-on (16719-99B) (pr)

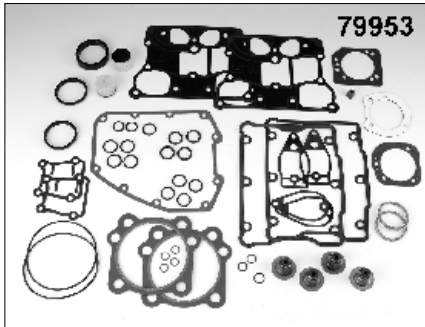
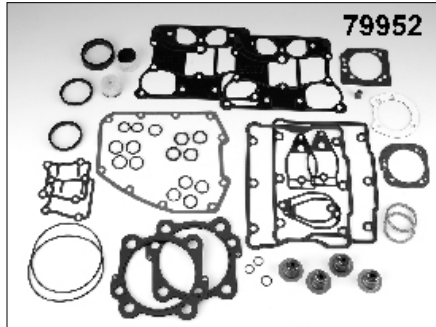
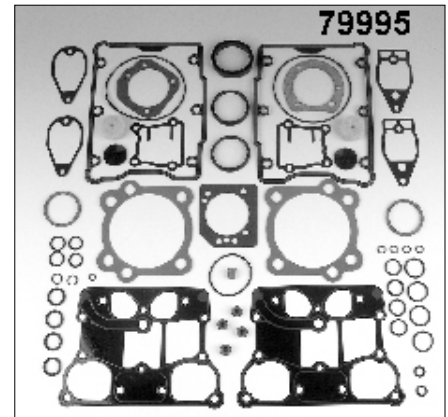
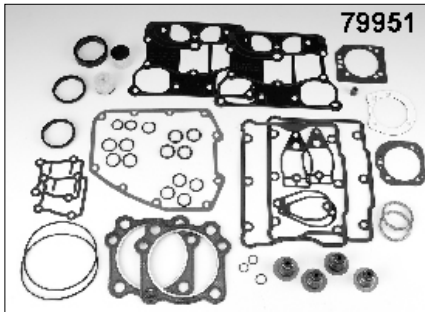
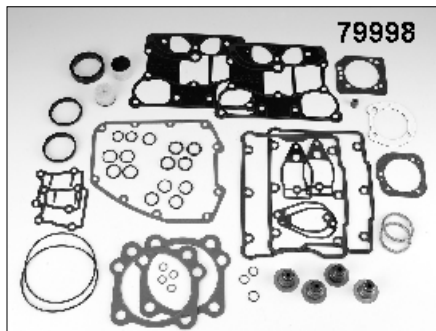
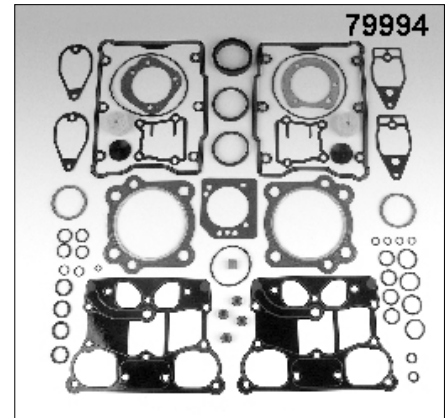
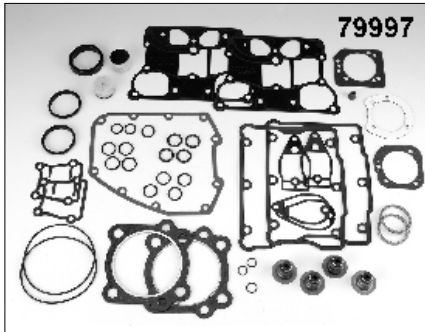
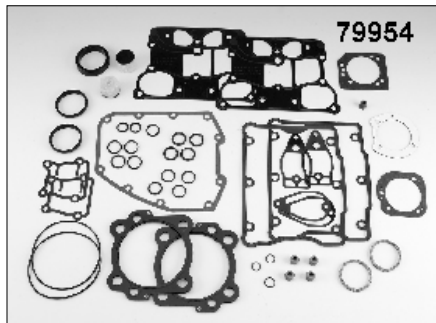
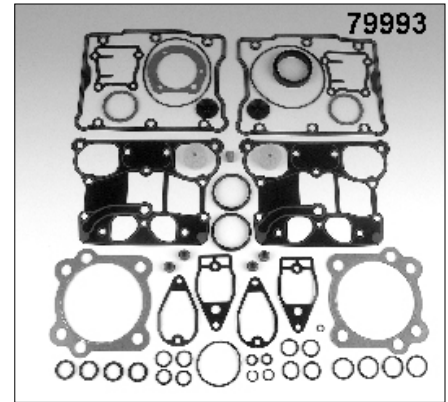
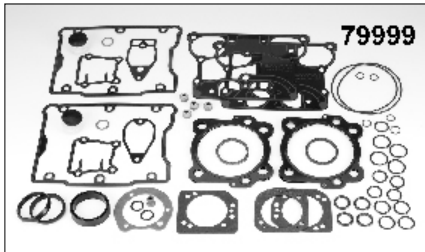
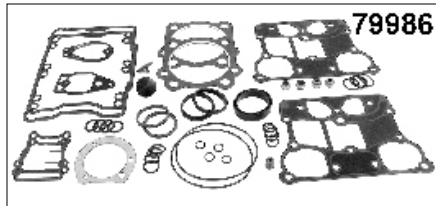
James TC Motor



Twin Cam Motor Gasket Kits

Preston	James	Year	Special note	CC
79987	17053-99	1999-04	.046" head, 1 pc rubber covered metal rocker base & breather	1450
79925	17053-99-X	1999-04	.036" head, 1 pc rubber covered metal rocker base & breather	1450
79926	17055-99	1999-04	.046" head, 1 pc rubber covered metal rocker base & breather	1550
79927	17055-99-X	1999-04	.036" head, 1 pc rubber covered metal rocker base & breather	1550
79923	17055-99-MLS	1999-04	MLS head, 1 pc rubber covered metal rocker base & breather	1550
79930	17053-05	2005-09	.045" silicone coated head with firering armor & bead	1450
79931	17053-05-X	2005-09	.036" as above	1450
79920	17055-05	2005-09	.045" teflon as above	1550
79921	17055-05-MLS	2005-09	MLS head, 1 pc rubber covered metal rocker base & breather	1550
79922	17055-05-X	2005-09	.036" silicone coated head with firering armor & bead	1550

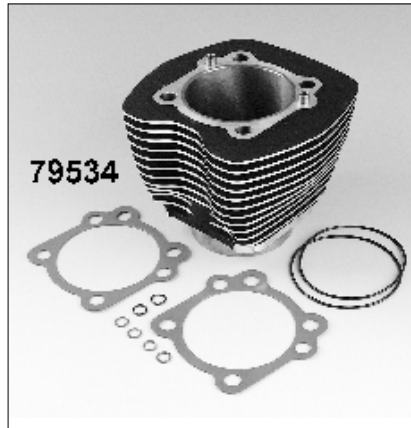
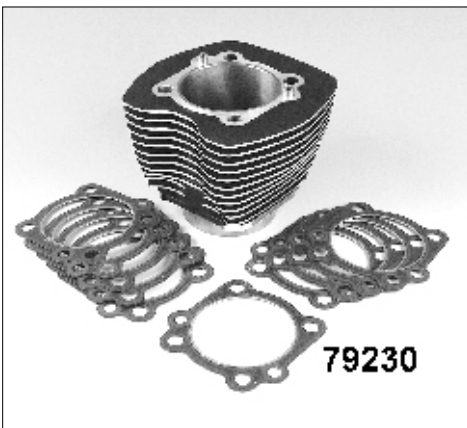
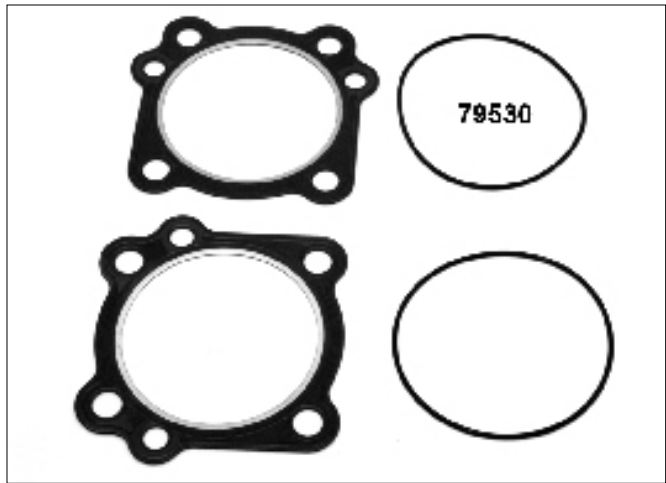
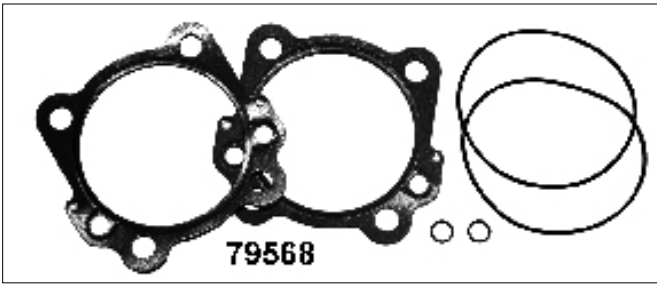
James TC Motor



Twin Cam Top End Gasket Kits

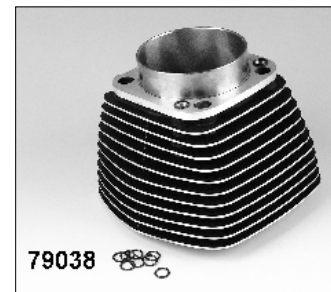
Preston	James	Year	Special Notes (all rocker base gaskets are 1 piece)	Motor
79986	17052-99	99-04	.046/.042 head, rubber covered metal rocker base, Viton valve seals	88
79999	17052-99-MLS	99-04	MLS head, beaded rocker base	95/96
79993	17052-99-X	99-04	Blue teflon head, rubber coated metal rocker base, Viton valve seals	95
79994	17054-99	99-04	.036/.034 head, rubber coated metal rocker base, Viton valve seals	88
79954	17054-99-MLS	99-04	MLS head	95
79995	17054-99-X	99-04	.036/.034 blue teflon head, rubber covered metal rocker base	95
79997	17052-05	05-09	.045 silicone coated head with fire ring armor & bead	88
79998	17052-05-X	05-09	.045 head as above	95/96
79930	17053-05	05-09	.045 head as above	88
79931	17053-05-X	05-09	.036/.034 head as above	88
79951	17054-05	05-09	.036/.034 head	88
79952	17054-05-MLS	05-09	MLS head	95/96
79953	17054-05-X	05-09	.036/.034 teflon coated head with fire ring armor	95/96

James TC Motor



James Twin Cam Head Gaskets

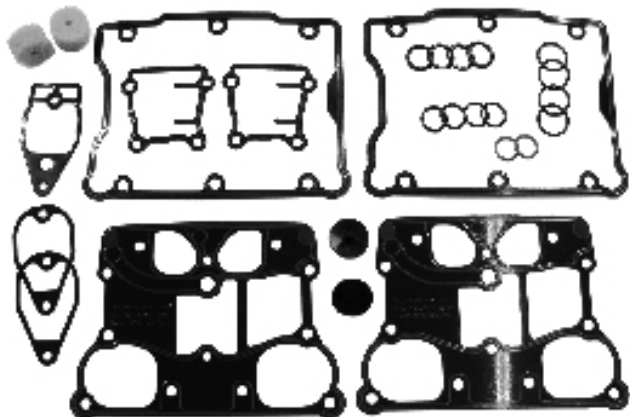
Preston	James	Year	Description	U/M
79527	16775-99	99-06	With bead & fire ring, .046/.042 final crush	10
79230	16775-99-X	99-06	With bead & fire ring, .036/.034 final crush	10
79534	16787-99	99-09	Blue teflon & fire ring, .046/.042 final crush, + o-rings, 95" (1550cc)	2
79568	16787-99-MLS	99-09	Multi layered steel, silicone coated, + cyl/base o-rings, 95/96	kit
79536	16787-99-X	99-09	Blue teflon, .036/.034 final crush, + o-rings	2
79530	17047-98	99-04	Cylinder base & beaded .045 head, with locating o-rings, 1450cc	kit



James BT Twin Cam Cylinder O-rings

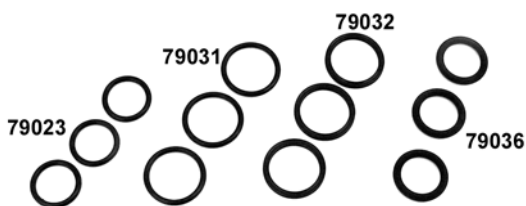
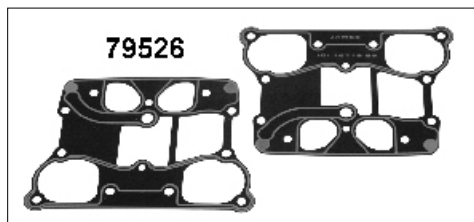
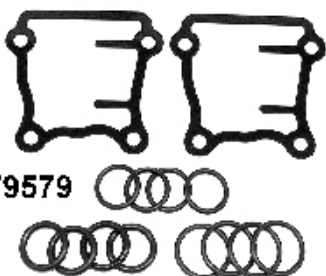
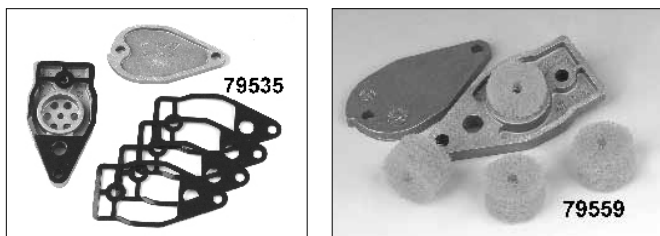
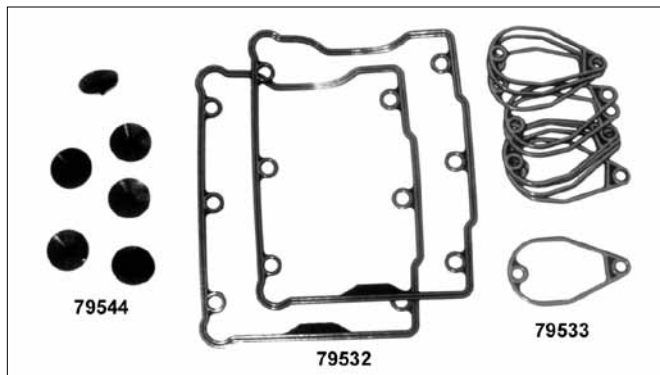
Preston	James	Year	Description	U/M
79037	11256	99-08	O-ring, cylinder to crankcase	10
79038	11273	99-08	O-ring, small cylinder locating	10
79018	26432-99	99-on	O-ring, cylinder locating, (used with .045 head gaskets) 1550cc	10
79019	26432-99-X	99-on	O-ring, cylinder locating, (used with .036 head gaskets) 1550cc	10

James TC Motor



James Twin Cam Rocker Cover Gasket Kit

PCP	OEM	Description
79528	17033-99	1450 & 1550cc 1999-on



James Twin Cam Rocker Gaskets 1999-on

These gaskets fit 1999-on 1450cc and 1550cc engines.

PCP	Description
79526	Rocker housing to head, 1 piece metal w/bead (16719-99) (pair)
79532	Gasket, top rocker cvr, metal w/bead (17386-99) (pr)
79533	Coated metal breather gasket (17591-99) (5 pk)
79535	Coated metal baffle gasket (17592-99) (5 pk)
79544	Seal, umbrella valve, (26858-99) (6 pk)
79559	Rocker breather filter element (63815-99) (10 pk)

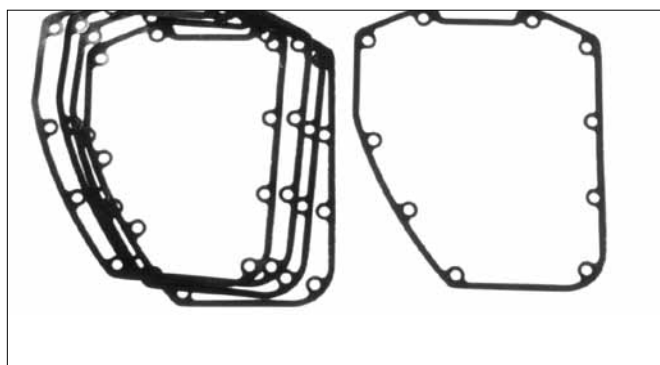
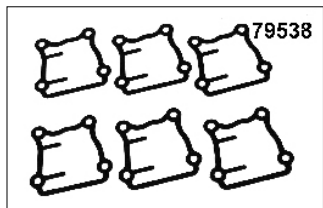
James Twin Cam Pushrod Gaskets

PCP	OEM	Description
79099	6737	Washer, push rod tube (20pk)
79023	11132	O-ring, center push rod 79-on (25pk)
79001	11132-A	O-ring, viton, middle, 07-09 (10pk)
79031	11145	O-ring, lower pushrod cover (25 pk)
79010	11145-A	O-ring, lower push rod cover, 07-09 (10pk)
79032	11145-X	O-ring, lower push rod cover, 84-06 (25pk)
79036	11157	O-ring, upper push rod cover, 84-09 (25pk)
79579	11293-TC	Seal/gaskets, push rod cover, 99-08 (kit)
79538	18635-99	Tappet block base, metal with silicone F&R 99-09 (10 pk)



James Quick Change Gasket and O-Ring Kit

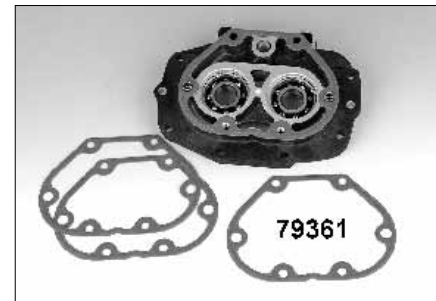
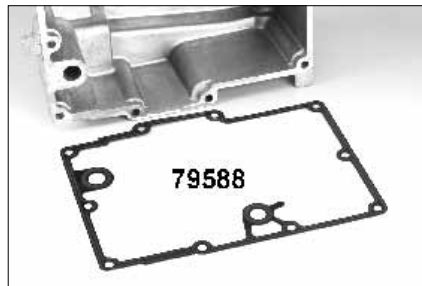
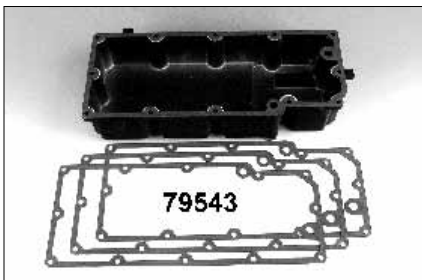
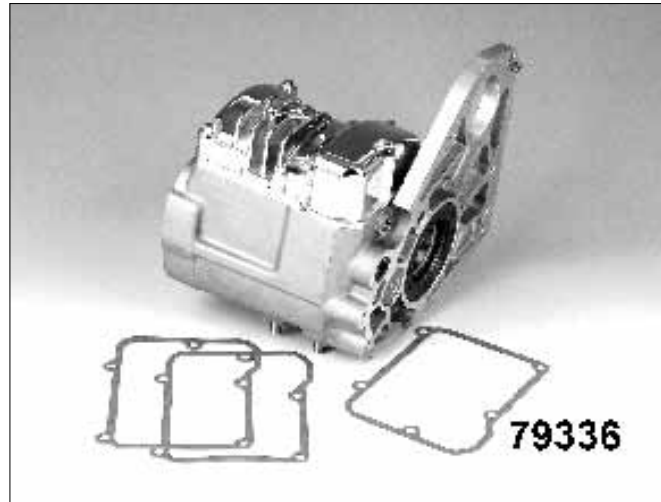
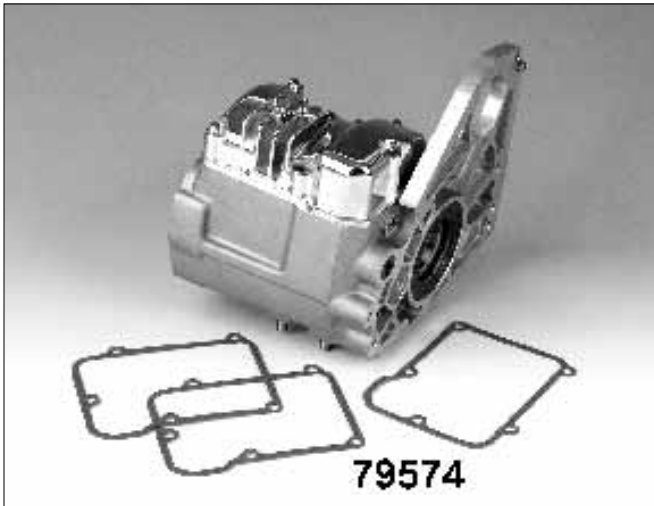
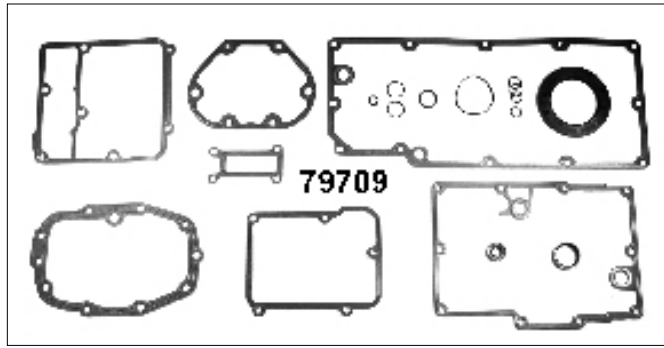
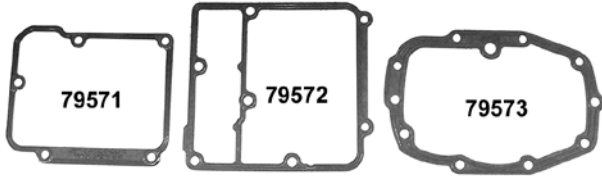
79540 25244-99-K



James TC Cam Cover Gaskets

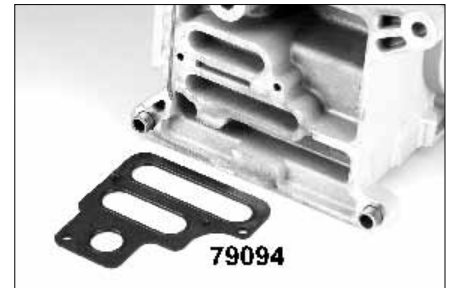
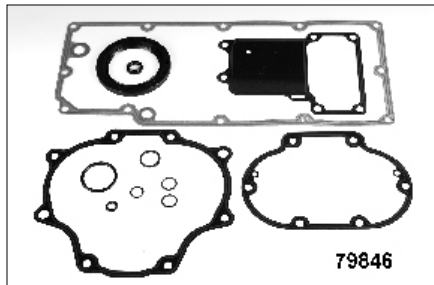
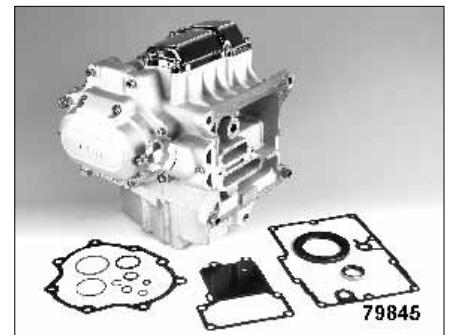
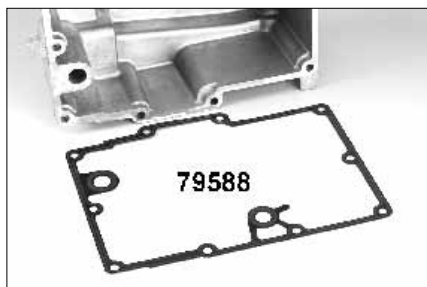
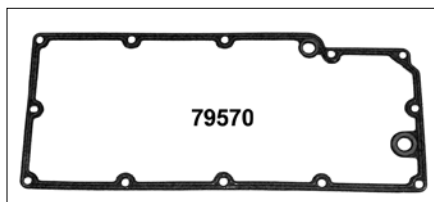
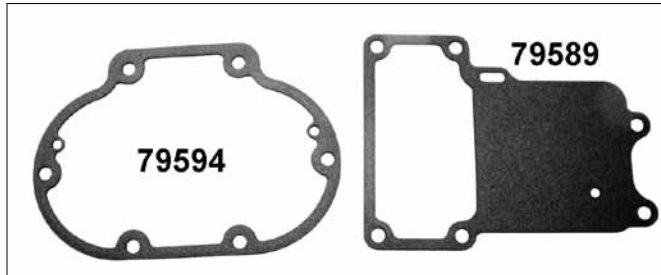
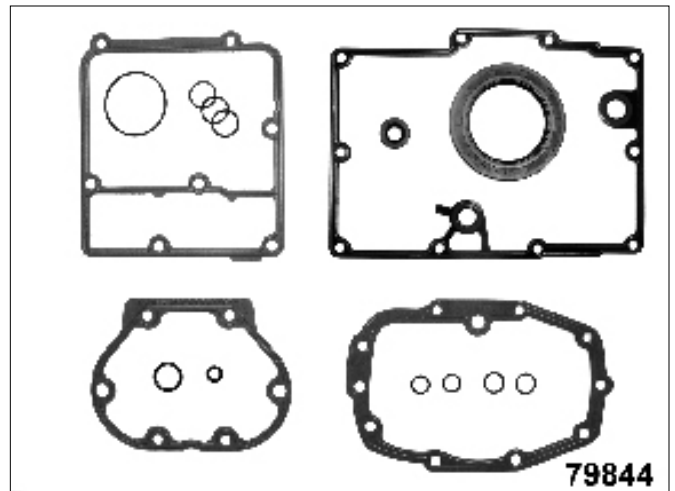
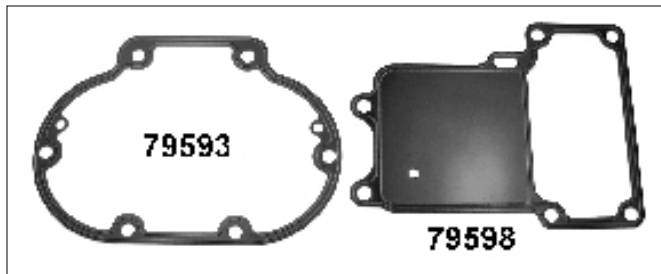
PCP	Description
79539	Gasket, .031 paper w/silicone (25244-99) (5 pk)

James TC Transmissom



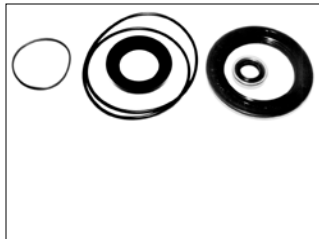
Twin Cam 5 Speed Transmission Gaskets				
Preston	James	Year	Description	U/M
79570	26072-99	1999-08	Oil pan, paper with beading 1 side, 1450cc	5 pk
79588	26072-99-X	1999-08	Oil pan, .020 RCM with bead, Dyna	ea
79543	26077-99	1999-09	Oil pan, paper with bead, FLT	10 pk
79709	33031-99	1999-06	Gaskets & seals, all paper gaskets in this kit have silicone beading	kit
79336	34904-86	1986-03	Top cover, paper, FLT-FXR	10 pk
79574	34904-86-X	1986-03	Top cover, paper with beading, FLT-FXR	5 pk
79571	34904-00-X	2000-06	Top cover, paper with bead, Softail-Touring	5 pk
79572	34917-99	1999-05	Top cover, paper with bead, Dyna	5 pk
79573	35653-98	1999-05	Bearing cover, paper with beading Dyna 99-05, Tour/FXST 99-06	5 pk
79361	36801-87-X	1992-on	Clutch release cover, paper with bead, all 5 speed	5 pk

James TC Transmisson



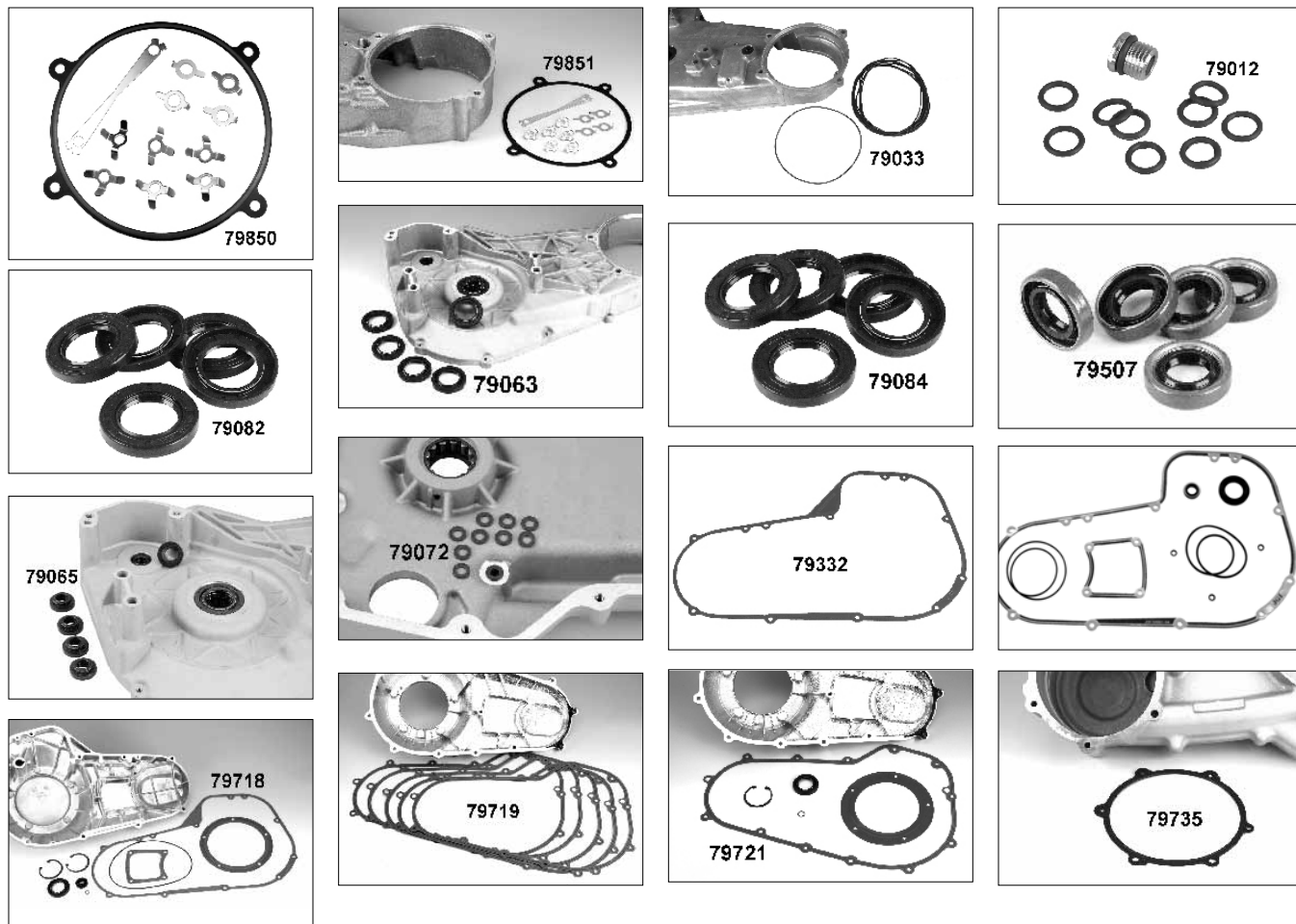
Twin Cam 6-Speed Transmission Gaskets				
Preston	James	Year	Description	U/M
79570	26072-99	1999-08	Oil pan, paper with beading 1 side, 1450cc	5 pk
79588	26072-99-X	1999-08	Oil pan, .020 RCM with bead, Dyna	ea
79543	26077-99	1999-09	Oil pan, paper with bead, FLT	10 pk
79844	33031-05	2001-06	Gaskets & seals, Dyna	kit
79845	33031-06	2006-09	Gaskets & seals, Dyna	kit
79846	33031-07	2007-08	Gaskets & seals, Touring	kit
79589	34917-06-F	2006-09	Top cover, Foamet, 2006-09 Dyna, Touring/FXST 2007-09 6 speed	5 pk
79598	34917-06-X	2006-09	Top cover, RCM with bead, as above 6 speed	ea
79603	35147-03-F	2003-09	Bearing cover, Foamet, Screaming Eagle 6 speed	ea
79604	35147-03-X	2004-09	Bearing cover, RCM with bead, Screaming Eagle 6 speed	ea
79605	35148-03-F	2003-09	Clutch release cover, Foamet, Screaming Eagle 6 speed	5 pk
79590	35148-03-X	2003-09	Clutch release cover, RCM with bead, Sreaming Eagle 6 speed	ea
79094	35607-06	2006-09	Trans/engine interface, molded rubber on steel, 6 speed (except S/E)	ea
79592	35654-06-F	2006-09	Bearing cover, Foamet, Dyna 06-09, Softail-Touring 07-09 6 speed	ea
79606	35654-06-X	2006-09	Bearing cover, RCM with bead, 6 speed as above	ea
79594	36805-06-F	2006-09	Clutch release cover, Foamet, all 6 speeds (except S/E)	5 pk
79593	36805-06-X	2006-09	Clutch release, RCM with bead, all 6 speeds (except S/E)	ea

James TC Transmission



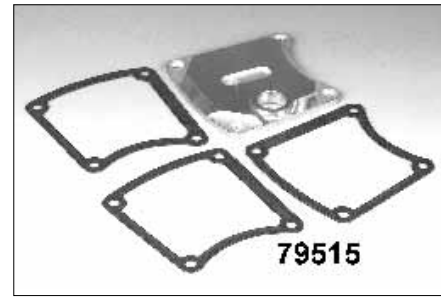
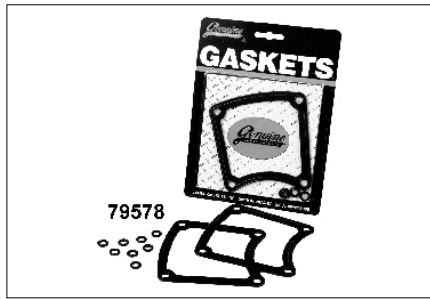
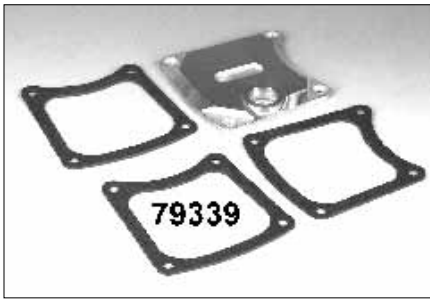
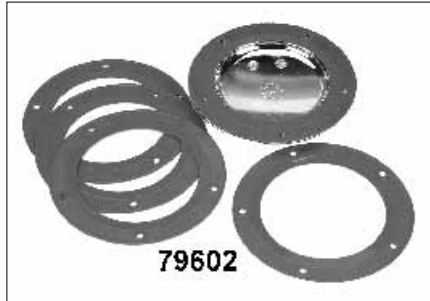
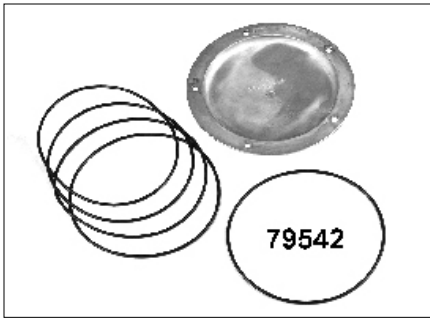
Twin Cam Transmission Seals & O-Rings				
Preston	James	Years	Description	UM
79000	11120	2006-09	O-ring, engine oil dip stick 6 speed Dyna-Touring	10
79023	11132	All	O-ring, filler plug	25
79039	11165	1984-09	Quad seal, left side transmission spacer, Softail	25
79048	11178	1987-09	O-ring, end cover filler plug, 5 speed	25
79054	11191	1990-on	O-ring, gear shift lever, 5 speed Softail-FLST	25
79011	11201	2006-09	O-ring, main drive gear, 6 speed	10
79070	12035-B	1991-06	Oil seal, 5TH gear, blue O.D. 5 speed	5
79077	12045-DL	1980-06	Oil seal, shifter shaft, rubber O.D. double lip, 5 speed	5
79491	12045-M	1980-06	Oil seal, as above with metal O.D.	5
79508	12067-A	1995-on	Oil seal, transmission sprocket/pulley	ea
79513	12067-AK	1995-06	Oil seal kit for 5 speed main shaft	kit
79066	12074	2006-09	Oil seal, main shaft left side, 6 speeds	ea
79840	12074-K	2006-09	Oil seal kit for main shaft left side Dyna 6 speed	kit
79068	12077	2006-09	Oil seal, transmission driven output/input shaft, Dyna 6 speed	5
79373	37101-84-B	2006-09	Oil seal, clutch release lever, 6 speeds	5

James TC Primary



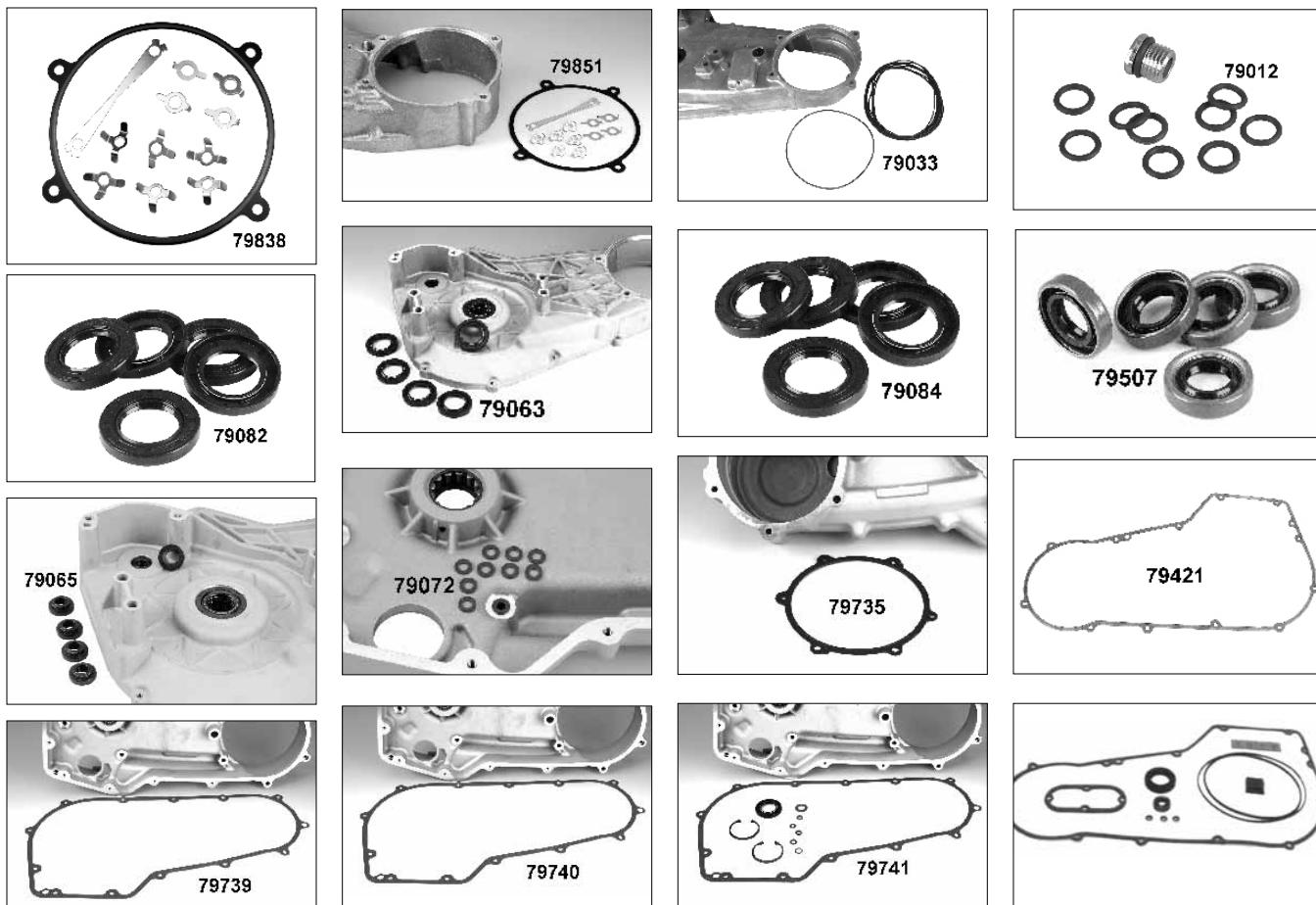
James BT Twin Cam Touring Primary Gaskets & Seals				
Preston	James	Year	Description	U/M
79850	11125-XM	84-06	Crankcase saver, RCM & lock tabs	kit
79851	11125-XMF	84-06	Crankcase saver, Foamet & lock tabs	kit
79033	11147	82-05	O-ring, inner chain cover to motor	10
79012	11324	04-06	O-ring, viton, primary cover drain plug, all models	10
79082	12052	84-04	Oil seal, inner chain cover, rubber O.D. double lip w/reverse helix	5
79063	12052-A	05-08	Oil seal, inner chain cover, main shaft, double lip	5
79084	12052-F	84-96	Oil seal, inner chain cover, rubber od, single lip w/reverse helix	5
79507	12066	94-06	Oil seal, starter shaft (inner cover), metal od, double lip	5
79065	12066-A	06-08	Oil seal, starter shaft (inner cover), double lip, Touring models	5
79072	31434-06	06-09	Paper seal, inn/primary to mounting bolts, 06-09 Dyna, 07-09 Tour	10
79332	34901-94	94-04	Primary, .062 paper with bead	5
79732	34901-94-K	94-04	Gaskets & seals	kit
79718	34901-05-K	05-06	Gaskets & seals	kit
79719	34901-07	07-09	Primary, paper with bead	5
79720	34901-07-F	07-09	Primary, Foamet	ea
79721	34901-07-K	07-09	Gasket kit, (also 2006-09 Dyna)	kit
79735	34934-06	06-09	Gasket, primary cover to engine interface, molded rubber on steel	ea

James TC Primary



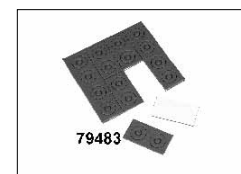
James Twin Cam Touring, Derby & Inspection				
Preston	James	Year	Description	U/M
79542	25416-99	99-05	O-ring, derby	5
79600	25416-99-DL	99-06	Derby, rubber on steel, (except 2006 Dyna)	ea
79607	25416-99-KT	99-06	Derby & inspection, includes sealing washers	kit
79549	25416-99-X	99-06	Derby, .030 paper with beading on 2 sides	5
79602	25416-06-X	06-08	Derby, .030 paper with bead, all models	5
79300	31433-84-A	84-09	Washer, derby & inspection, metal washer with rubber sealing I.D.	5
79339	34906-85	85-04	Inspection, .062 paper with beading on 2 sides	5
79578	34906-85-DL	85-04	Inspection, "it's an oil seal not a gasket" moulded rubber/steel insert	ea
79515	34906-85-X	85-04	Inspection, steel core with beading	5

James TC Primary

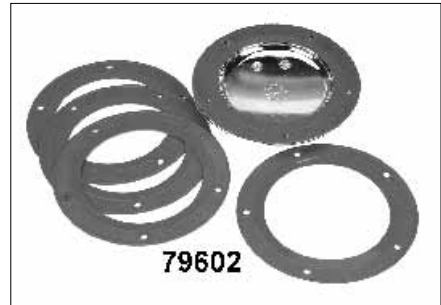
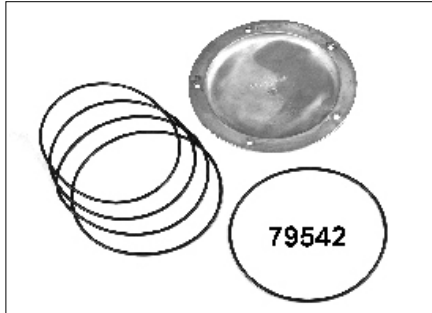
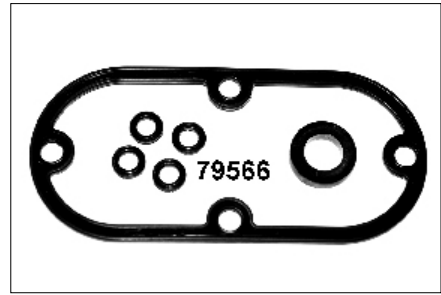
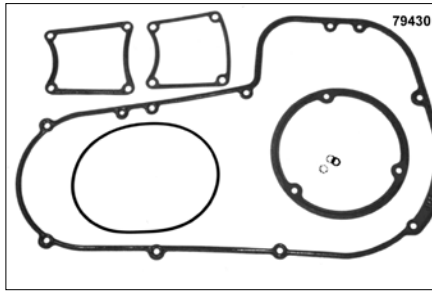
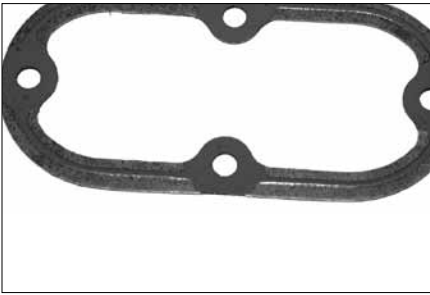


James BT Twin Cam Softail-Dyna Primary Gaskets & Seals

Preston	James	Year	Description	U/M
79850	11125-XM	84-06	Crankcase saver, RCM & lock tabs	kit
79851	11125-XMF	84-06	Crankcase saver, Foamet & lock tabs	kit
79033	11147	82-05	O-ring, inner chain cover to motor	10
79012	11324	04-06	O-ring, viton, primary cover drain plug, all models	10
79082	12052	84-04	Oil seal, inner chain cover, rubber O.D. double lip w/reverse helix	5
79063	12052-A	05-08	Oil seal, inner chain cover, main shaft, double lip	5
79084	12052-F	84-96	Oil seal, inner chain cover, rubber od, single lip w/reverse helix	5
79507	12066	94-06	Oil seal, starter shaft (inner cover), metal od, double lip	5
79065	12066-A	06-08	Oil seal, starter shaft (inner cover), double lip, Touring models	5
79072	31434-06	06-09	Paper seal, inn/primary to mounting bolts, 06-09 Dyna, 07-09 Tour	10
79735	34934-06	06-09	Gasket, primary cover to engine interface, molded rubber on steel	ea
79421	60539-94	94-04	Primary, .062 paper with beading	5
79733	60539-94-K	94-04	Gaskets & seals, with .062 paper primary with beading	kit
79740	60547-06	06/07-09	Primary, .030 paper with bead, 06-09 Dyna, 07-09 Softail	5
79739	60547-06-F	06/07-09	Primary, Foamet with bead, 06-07 Dyna, 07-09 Softail	ea
79741	60547-06-K	06/07-09	Gasket kit, .030 paper with bead & seals, 06-09 Dyna, 07-09 Softail	kit
79483	63859-95	95-on	Washer, paper with adhesive backing for inner primary	16

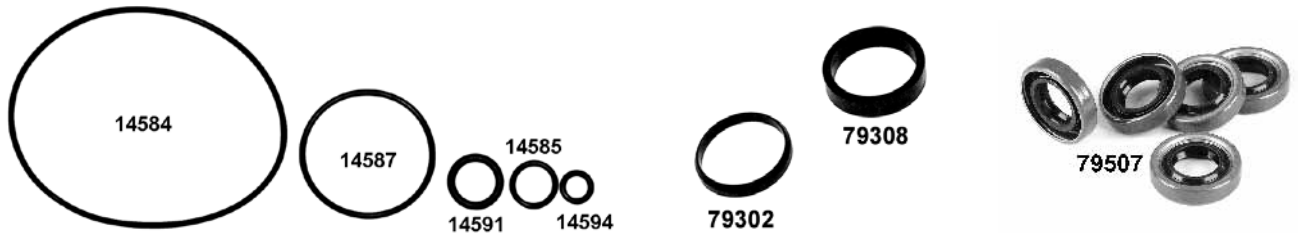


James TC Primary



James Twin Cam Softail-Dyna Derby & Inspection				
Preston	James	Year	Description	U/M
79428	60567-65-B	65-on	All ovals, .062 paper with beading on 2 sides	5
79430	60567-90	65-on	All ovals, .062 paper with beading on 1 side	5
79566	60567-90-DL	65-on	All ovals, "it's an oil seal, not a gasket" molded rubber on steel	ea
79199	6057	90-09	Washer, black nylon, shifter lever	10
79542	25416-99	99-05	O-ring, derby cover	5
79600	25416-99-DL	99-06	Derby, rubber on steel, (not 2006 Dyna)	ea
79601	25416-99-K	99-06	Derby & inspection, with sealing washers, (not 2006 Dyna)	kit
79549	25416-99-X	99-06	Derby, .030 paper with beading on 2 sides	5
79602	25416-06-X	06-08	Derby, .030 paper with bead	5

James Twin Cam



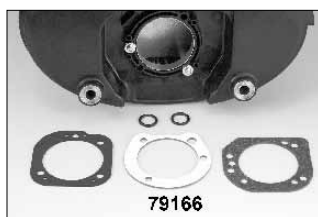
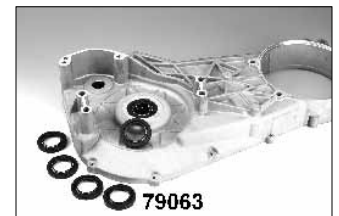
Twin Cam O-Rings

- | PCP | Application |
|---------|--|
| 14511** | Fuel pump sending unit 2003-on Softail (11117) |
| 79023 | O-ring, filler plug (11132) (25 pk) |
| 79031 | O-ring, lower pushrod cover (11145) (25 pk) |
| 79033 | O-ring, alternator 1982-03 (11147) (10 pk) |
| 79001 | Center pushrod cover 2007-on 96" (11132-A) |
| 79010 | Tappet guide to pushrod cvr. 2007-on 96" (11145-A) |
| 79015 | Fuel tank check valve 1999-on (11246) |
| 79037 | Cylinder to crankhouse 1999-on 88 (11256) |
| 14585** | Lower rocker cover to cylinder head 1999-on (11270) |
| 79038 | Cylinder locating 1999-on 88 (11273) |
| 14587** | Oil pump outer 1999-on (11286) |
| 14588** | Cam positioning sensor 1999-on (11288) |
| 14589** | Crankshaft positioning 1999-on (11289) |
| 14590** | Neutral gear switch 1999-on (11290) |
| 79016 | Air cleaner back plate to cylinder head 1999-on (11292) |
| 14591** | Upper pushrod to cylinder head, oil filter, oil pump 1999-on (11293) |
| 79579 | Kit, pushrod cover 1999-on (11293-TC) |
| 14592** | Rear shock air control 1999-on (11297) |
| 14593** | Cam support plate plug 1999-on (11298) |
| 14594** | Oil pump inner 1999-on (11301) |
| 79012 | Magnetic drain plug to primary (11324) |
| 79529 | Kit, induction module 1999-on (17043-99) |
| 79542 | Clutch derby cover 1999-on (25416-99) |
| 79018 | Cylinder head locating w/.045 head gasket 95" (26432-99) |
| 79019 | As above w/.036 head gasket 95" (26432-99-X) |
| 79007 | Fuel injector, upper 1999-on (27237-95) |
| 79008 | Fuel injector, center 1999-on (27244-95) |
| 79014 | Starter motor to case 1999-on (27444-00-Y) |
| 79300 | Sealing washer, inspection/derby (31433-84-A) |

**Note: not James

Twin Cam Oil Seals

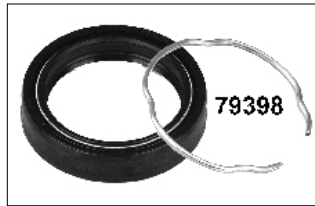
- | PCP | Application |
|-------|--|
| 79098 | Shift shaft spacer Dyna 2006-on (7078) |
| 79504 | Map sensor intake manifold (11291) |
| 79507 | Starter shaft, inner chain cover 1999-03 (12066) |
| 79512 | Motor shaft metal OD 2 lips 1999-on (12068) |
| 79063 | Inner chain housing, trans M/S bearing 6 speed 2006-on (12052-A) |
| 79507 | Starter shaft 1994-03 (12066) |
| 79065 | Starter shaft, double lip (12066-A) |
| 79071 | Valve stem seal package 2002-on (18094-02) |
| 79545 | Intake manifold carb and EFI 1.800 1999-on (26992-99) |
| 79302 | Intake manifold 1.880 for S&S style manifold (26995-86-D) |
| 79093 | Kit, intake manifold EFI 1999-on (27002-99X) |
| 79544 | Umbrella valve, rocker cover breather 1999-on (26858-99) |
| 79095 | Kit, intake manifold 40/42/44mm CV and 45mm (27002-00) |
| 79444 | Gasket/seal kit EFI (27202-95-K) |
| 79308 | Intake manifold to carb 44mm CV and Flatsides (29639-99) |
| 79072 | Red silicone for 786A bolt, chain housing Dyna 2006-on, Softail 2007-on (31434-06) |
| 79094 | Interface, trans to engine Dyna 2006-on, Softail 2007-on (35607-06) |



James Carb/Air Cleaner Gaskets

PCP	OEM	Description	Fitment	U/M
79166	29062-06-K	Air cleaner kit	Touring 2006-07, FXT 2006-08	Kit
79167	29062-95-K	Air cleaner kit	Touring 1992-05, FXST 1995-05	Kit
79169	29368-99-K	Air cleaner backing plate kit	Touring EFI 1999-01	Kit
79170	29583-01-A	Air cleaner backing plate	TC 2006-on (except 2008 Touring)	10 Pk

James Twin Cam



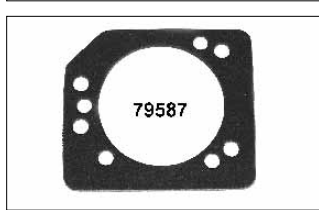
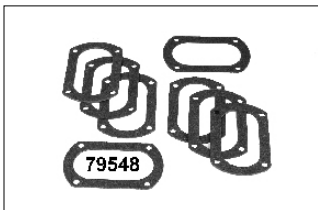
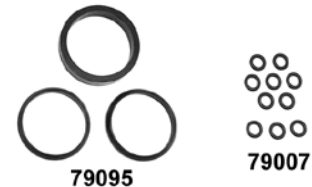
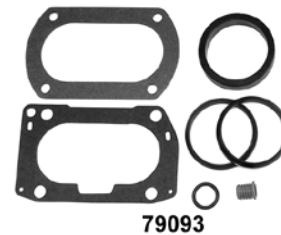
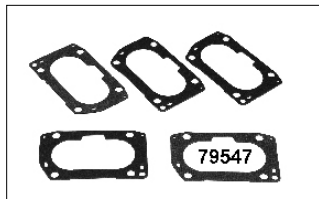
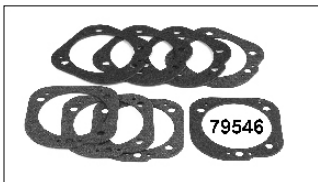
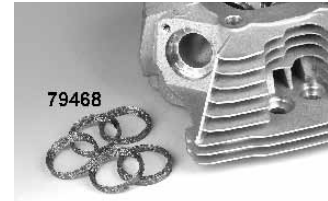
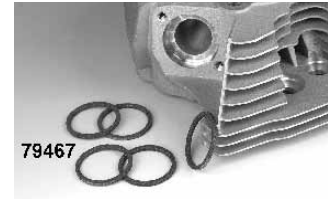
James Fork Seals and Kits

PCP	OEM	Description	Fitment	U/M
79805	45849-84	oil seal kit	FLT 84-03	kit
79806	45849-84-A	oil seal kit	FXR,FXSB 84-03	kit
79398	45875-84	41mm seal	FXST 84-on	ea
79364	46175-00	oil seal	FXST/D 00-09	2 Pk
79365	46514-01	oil seal	Dyna 06-09	2 Pk
79827	45849-00	oil seal kit	FXST/D 00-09	Kit
79832	45849-06	oil seal kit	Dyna 06-09	Kit



James Twin Cam Exhaust Gaskets

- PCP Description**
79531 Gasket kit, exhaust (17048-98)
79467 Compressed S/S 84-on (65324-83) (10)
79468 S/S wire with graphite 92-on (65324-83A) (5)
11105 Retaining snap rings 84-on (65325-83A) (10)



James Twin Cam Carburetor Gaskets

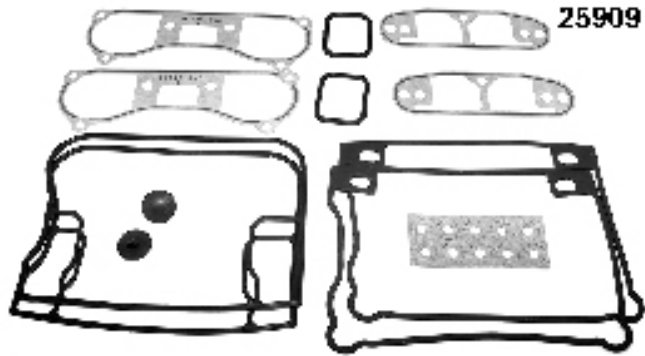
PCP	Year	Engine	Description
79093	1999-on	1450cc 1550cc	Intake manifold carb seal kit w/EFI (27002-99-X)
79007	1999-on	1450cc 1550cc	Upper fuel injector o-ring (10) (27237-95) (10)
79008	1999-on	1450cc 1550cc	Centre fuel injector o-ring (10) (27244-95) (10)
79095		44mm CV	Intake manifold carb seal kit (27002-00)

James Twin Cam Gaskets and Seals

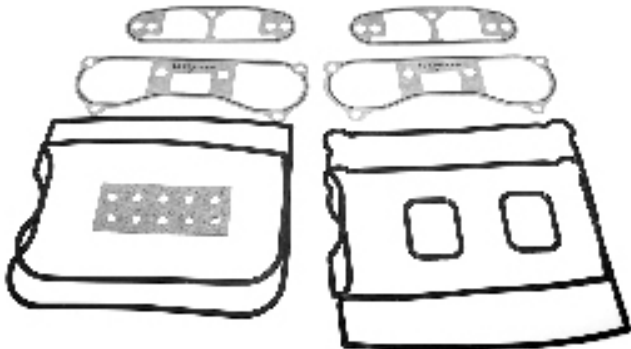
- PCP Description**
79529 O-ring kit, induction module (17043-99)
79545 Seal, intake manifold (26992-99) (2 pk)
79546 Gasket, carb back plate (29062-95-B) (10 pk)
79547 Gasket, induction module to back plate (29368-99) (10 pk)
79548 Gasket, filter element EFI (29463-99) (10 pk)
79587 Carburetor back plate 2001-06 (29583-01) (10 pk)



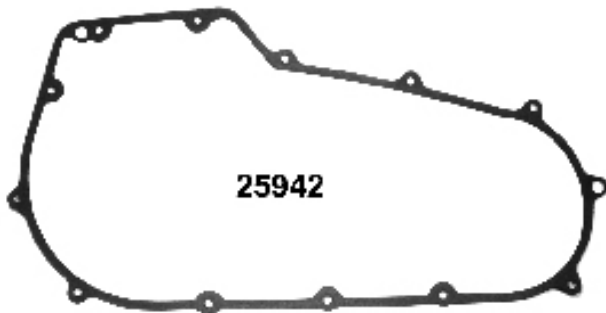
Topline BTEVO Gaskets



25909 Rubber rocker box kit 1992-99 (17042-92A)



25908 Rubber rocker box kit 1984-91 (17038-90)
25910 Rubber lower rocker 1984-91 (17355-84A)



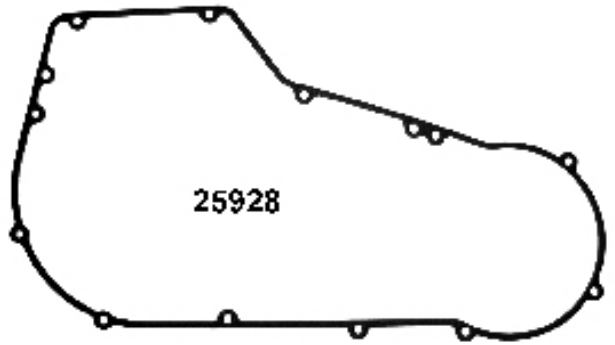
Primary Gaskets

- | PCP | Application (sold each) |
|--------------|--|
| 25942 | T/L 2007-on FXST Steel core with rubber coating (34901-07) |
| 25943 | T/L 2006-on FXD Beaded (60547-06) |

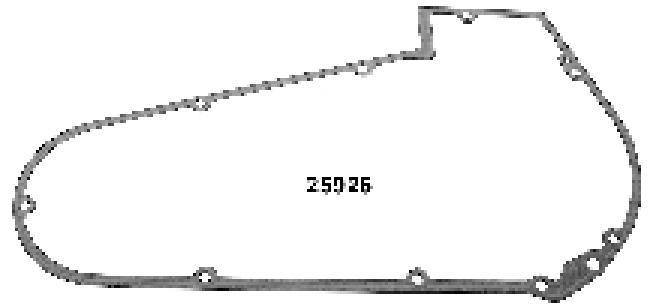


GB Inner Primary Repair Kit

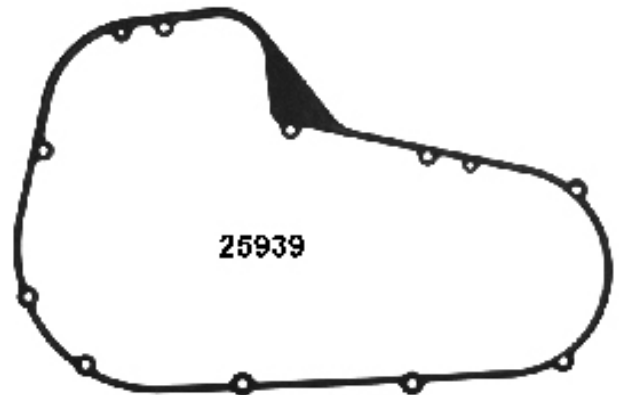
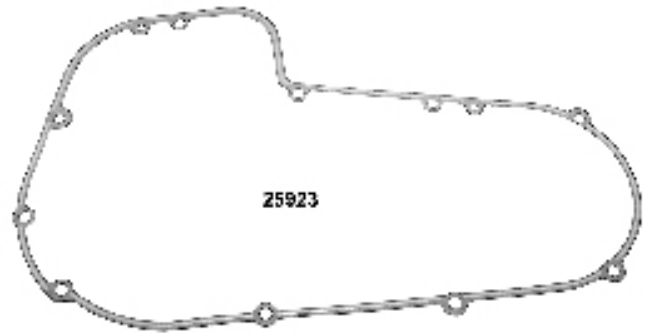
- | PCP | Description |
|--------------|-------------|
| 25617 | (34934-06) |



25926 FXST primary w/silicone 1981-85 (60538-81E) (5 pk)
25928 FXST alloy w/silicone 1994-04 (60539-94C) (each)



25923 FLT-FXR primary w/silicone 85-93 (34901-85A) (5)
25939 As above metal with silicone 94-on (34901-94C) (ea)

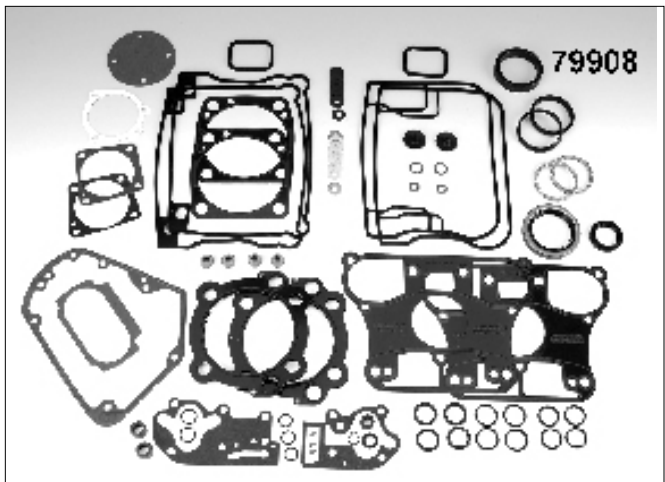
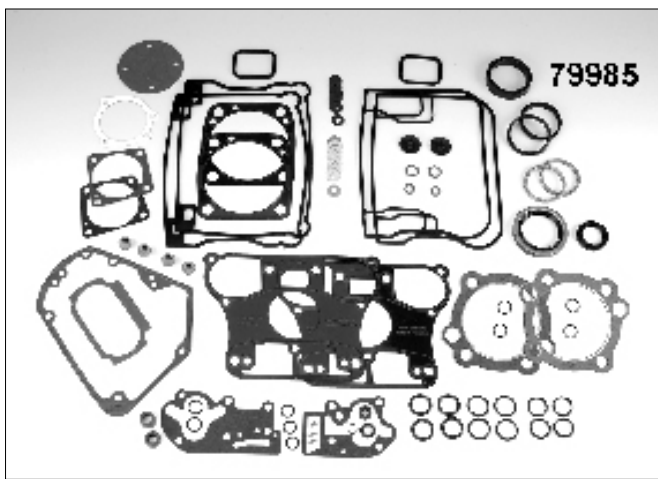
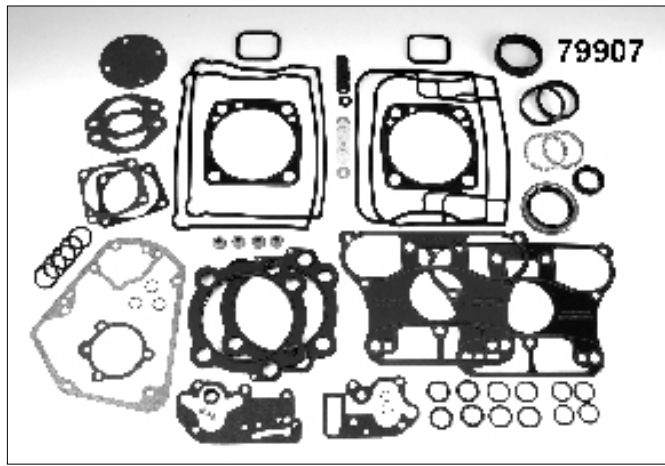
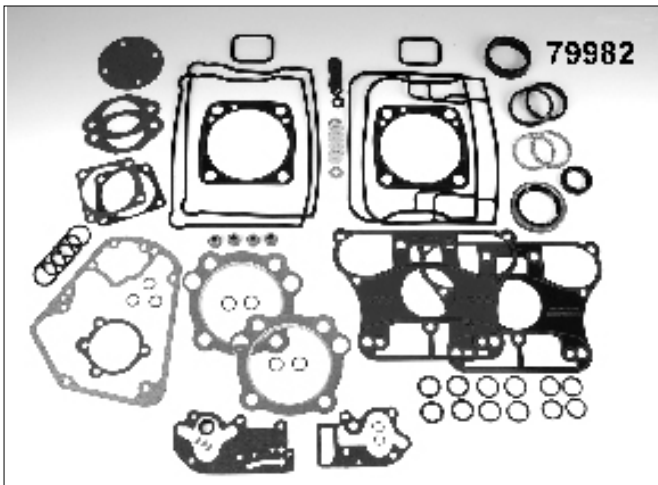


25923 FLT-FXR primary w/silicone 85-93 (34901-85A) (5)
25939 As above metal with silicone 94-on (34901-94C) (ea)



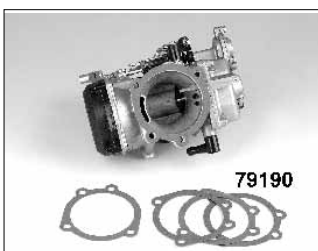
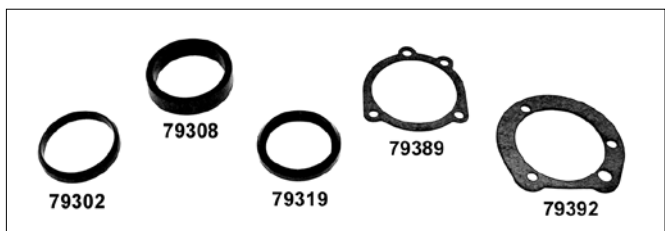
25925 Inspection w/silicone FLT-FXR 1985-00 (34906-85D)

James BT EVO Motor



Motor Kits

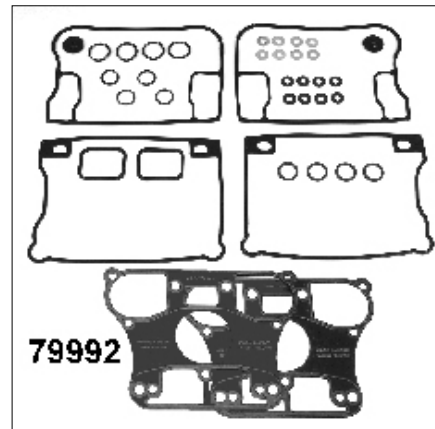
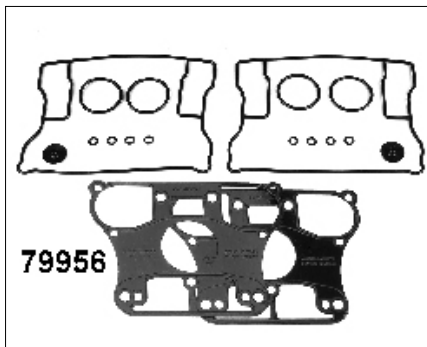
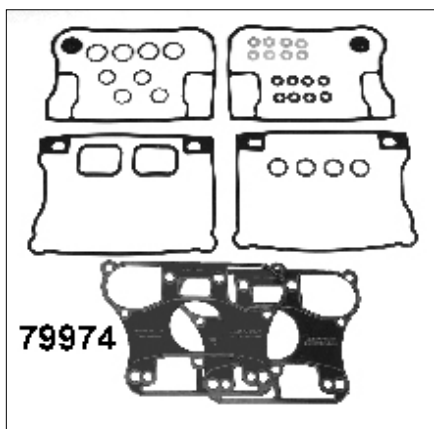
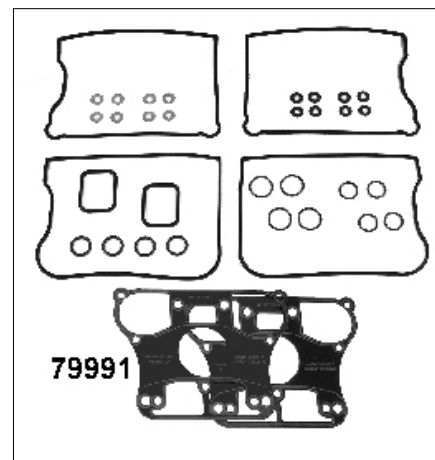
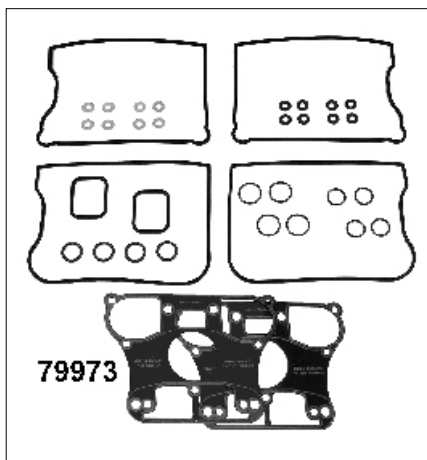
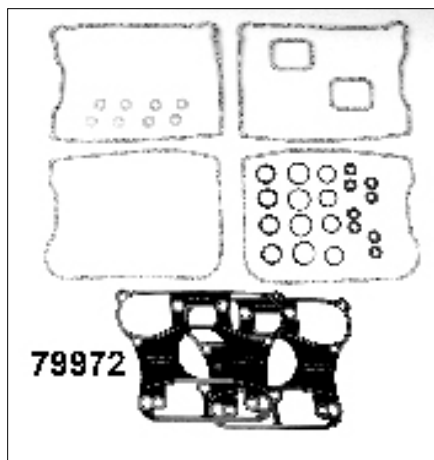
- 79982** Set w/fire ring head gasket 1984-91 (17035-83-B)
- 79907** Set w/MLS head, RCM cyl/base & rocker base, 1984-91 rubber rocker cover gaskets (17035-83-MLS)
- 79985** Set w/coated cylinder base & steel coated rocker base 1992-99 (17041-92-A)
- 79908** Set w/MLS head, .020 RCM base, RCM rocker base, and rubber rocker gaskets 1992-99 (17041-92-MLS)



James Evo BT Carburetor Gaskets

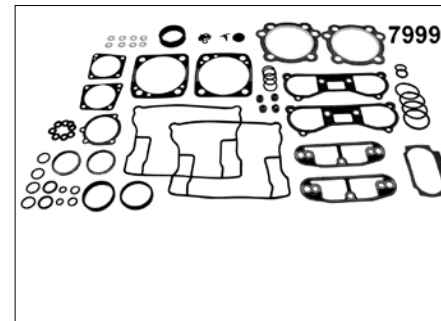
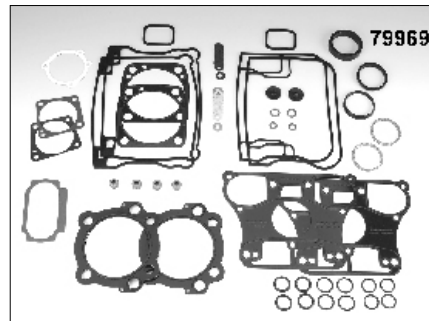
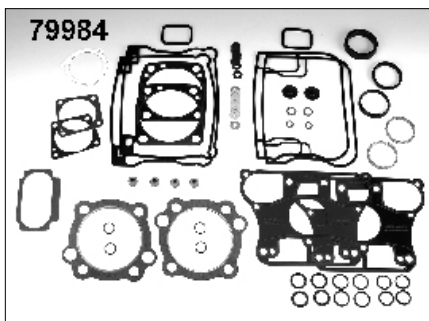
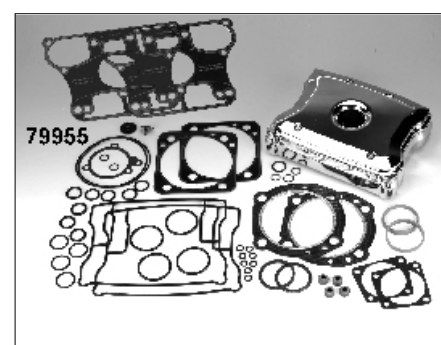
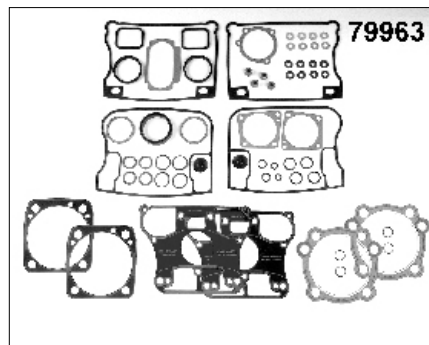
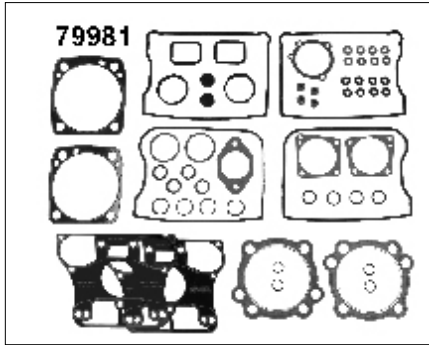
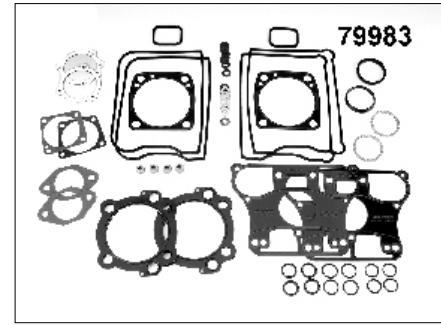
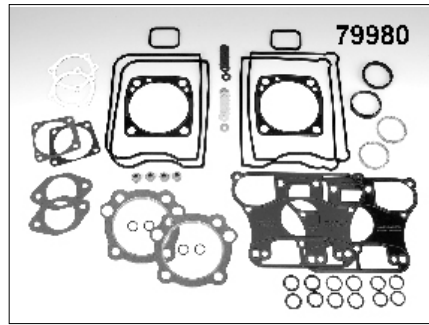
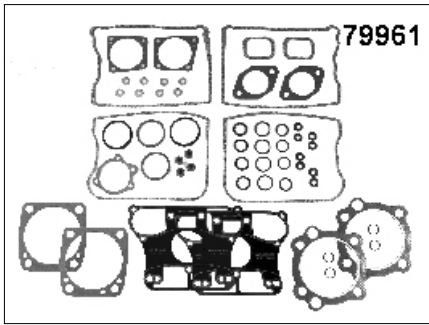
- | PCP | Description |
|--------------|--|
| 79302 | Intake manifold seals for S&S style manifold (10 pk) |
| 79308 | Intake manifold seals for 44mm CV and 45mm Mikuni carb (29639-(5 pk) |
| 79319 | Metal intake manifold seal w/rubber lip 1986-on (26995-98) (10 pk) |
| 79152 | Air cleaner spacer FXD 1991-99 (27044-90) (10) |
| 79153 | Accelerator pump boot 1979-06 (27311-76-A) (10) |
| 79389 | Carburetor to air cleaner gasket .030 w/adhesive for 88-on FLT, FXR, FXST, Dyna (29059-88-A) (10 pk) |
| 79190 | James air cleaner gasket 1988-90 (29059-88) (10) |
| 79392 | Air cleaner gaskets w/adhesive for 1995-09 (29313-95) (10 pk) |
| 79497 | Air cleaner gasket, steel core w/paper facing on 2 sides for 1988-on all (29059-88-X) (5) |

James BT EVO Motor



James BT EVO Rocker Cover Gasket Kits				
Preston	James	Year	Description	U/M
79972	17033-83-R	84-91	Cork rocker covers & beaded paper rocker base	kit
79973	17038-90	84-91	Includes paper rocker base & rubber rocker cover seals	kit
79991	17038-90-X	84-91	Includes metal rocker base	kit
79974	17042-92	92-99	Includes paper rocker base	kit
79956	17042-92-SS	92-99	Metal rocker base , for S&S billet rocker covers	kit
79992	17042-92-X	92-99	Includes Metal rocker base	kit

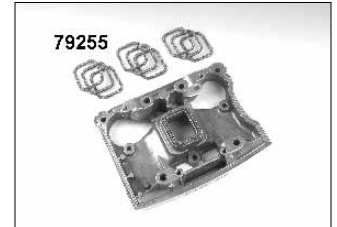
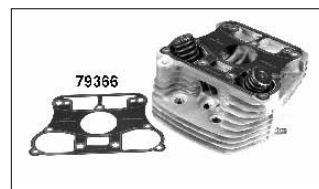
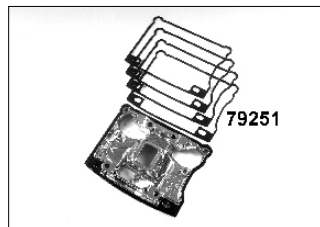
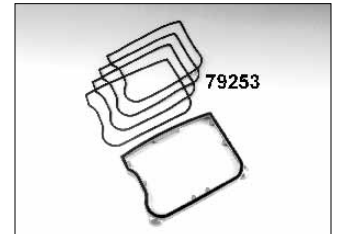
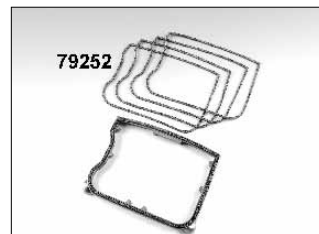
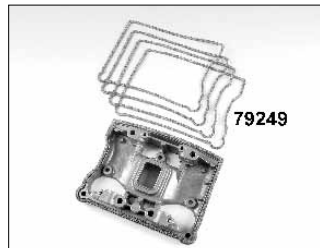
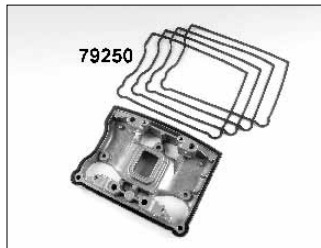
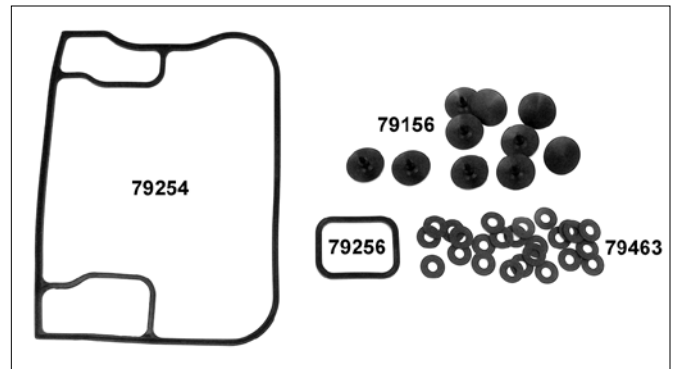
James BT EVO MOTOR



James BT EVO Top End Gasket Kits

Preston	James	Year	Description (all kits include 1 pc rocker bases)	U/M
79961	17033-83	84-91	Includes cork rocker gaskets, & Viton valve seals	kit
79980	17033-83-A	84-91	Includes rubber rocker gskt, & Viton valve seals	kit
79983	17033-83-MLS	84-91	Includes MLS heads, & RCM base/rocker	kit
79981	17033-83-S	84-91	Includes 3 5/8 BB .045 heads & metal cylinder w/beading	kit
79963	17033-92	92-99	Includes 3 5/8 BB heads, metal cyl/base & rocker base	kit
79955	17040-04-SS	92-98	4.0" bore w/S&S Landmark billet rocker covers, .045 head	kit
79984	17040-92	92-99	Includes metal cylinder & rocker base, and Viton valve seals	kit
79969	17040-92-MLS	92-99	Includes MLS heads, .020 RCM base & RCM rockers	kit
79996	17040-92-SS	92-99	For billet rocker covers (S&S, Landmark)	kit

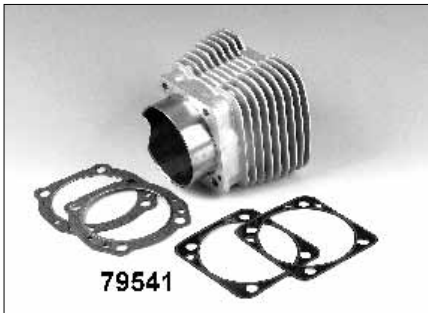
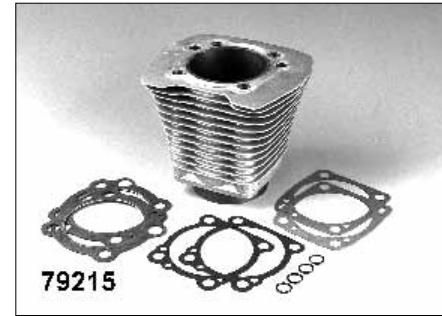
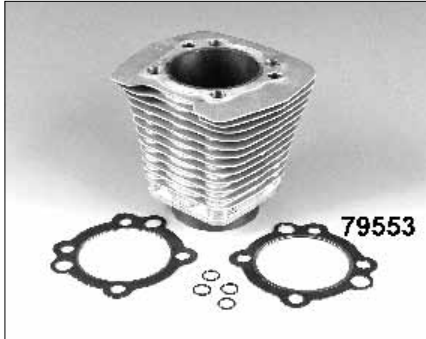
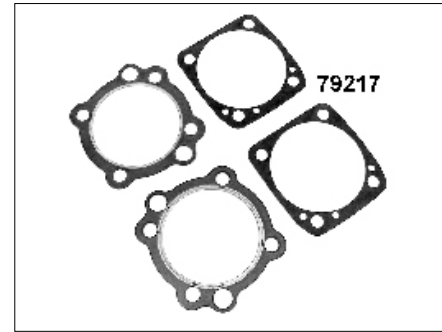
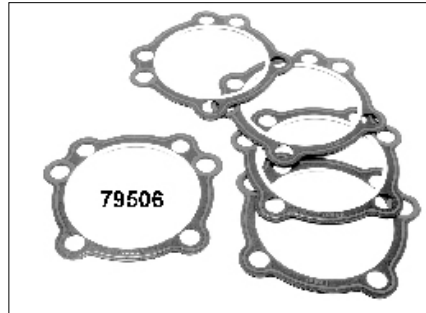
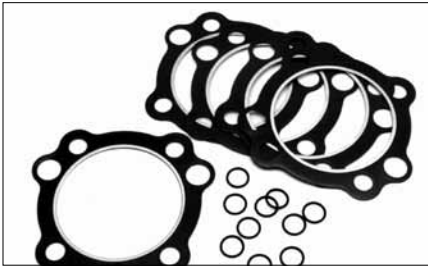
James BT EVO MOTOR



James BT EVO Rocker Gaskets

Preston	James	Year	Description	U/M
79439	6114C	84-99	Copper washer, for top covers	8 pc
79440	6114-R	84-99	Washer, rubber on steel, for top covers	8 pc
79366	16779-84-X	84-99	Rocker base, 1 piece paper with bead, (update for 16774/9-84)	2
79581	16779-99-X	84-99	As above, .020 metal with beading	2
79249	17355-84	84-91	Cork lower rocker	5
79250	17355-84-A	84-91	Rubber lower rocker	5
79252	17356-84	84-91	Cork upper rocker	5
79253	17356-84-A	84-91	Rubber upper rocker	5
79251	17355-92	92-99	Rubber lower rocker	5
79254	17356-92	92-99	Rubber upper rocker	5
79255	17358-84	84-91	Cork centre rocker cover	10
79256	17358-84-A	84-99	Rubber centre rocker cover	10
79156	26856-89	91-99	Seal, umbrella valve	10
79463	63858-49	84-98	Washer, black paper, for top rocker cover	25

James BT EVO Motor



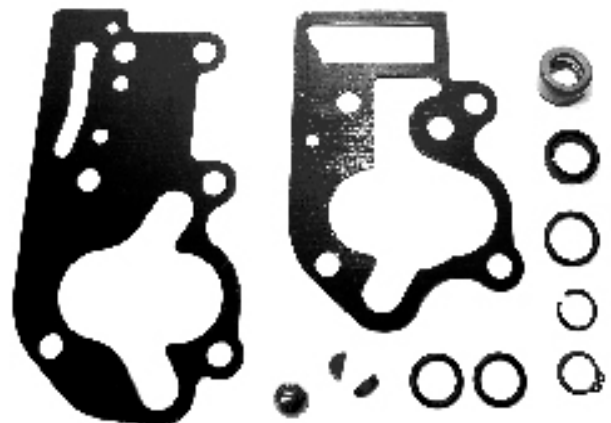
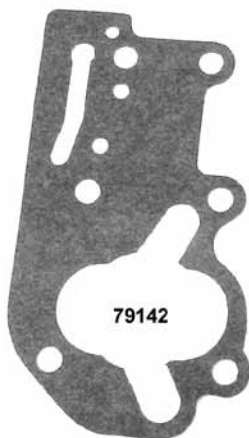
James BT EVO Cylinder Gaskets

Preston	James	Year	Description	U/M
79215	16770-84-A	84-99	.046/.042 head and .030/.025 base with 4 o-rings	kit
79216	16770-84-B	84-99	.048/.042 graphite with fire ring	5
79567	16770-84-MLS	84-99	Silicone coated MLS head and .020 RCM base	kit
79553	16770-84-X	84-99	.036/.030 graphite head with fire ring	2
79217	16770-86-S	84-99	3-5/8 BB, .064/.056 head with fire ring and 2 paper base	kit
79218	16773-85	84-99	.064/.056 head, (includes 26432-76-X locating O-rings)	5
79219	16773-85-T	84-99	.046/.042 head with fire ring, (includes 26432-76-X locating O-rings)	5
79506	16773-85-TS	84-99	3-5/8 BB .046/.042 head with fire ring	5
79541	16773-96-K	84-99	4.0" bore S&S & TP, .046/.042 head and .022/.020 base, bead	set
79560	16773-96-X	84-99	4.0" bore S&S & TP, .046/.042 head with fire ring	2
79149	24632-76-A	84-99	O-ring, cylinder head locating for .036 & .045 head gaskets	10
79150	26432-76-X	84-99	O-ring, cylinder head locating for .045 & .062 head gaskets	10

James BT EVO Motor



James BT EVO Cylinder Gaskets				
Preston	James	Year	Description	U/M
79557	16777-83-A	84-99	paper, .020/.016 (starting thickness/final crush)	10
79239	16777-86-S	84-99	3 5/8 BB, paper, .020/.016	5
79240	16777-94	84-99	Metal with bead, .022/.020	2
79525	16777-94-S	84-99	3 5/8 BB, metal with bead, .022/.020	2
79558	16777-96-X	84-99	4.0 bore S&S & T.P. cylinders, metal with bead, .022/.020	2



Oil Pump Gaskets (10 pack)

- 79141 Paper body to case gasket 1980-91 (26273-80B)
- 79142 Paper body to case 1992-99 (26273-92)
- 79143 Paper cover gasket 1980-91 (26276-80A)
- 79145 Paper outer cover 1992-99 (26276-92)

James Evo BT Oil Pump Kits

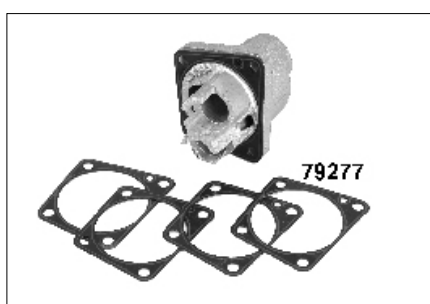
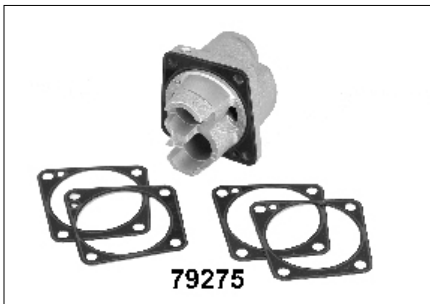
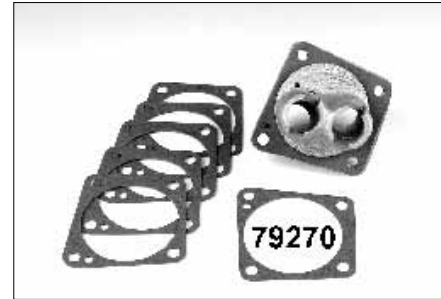
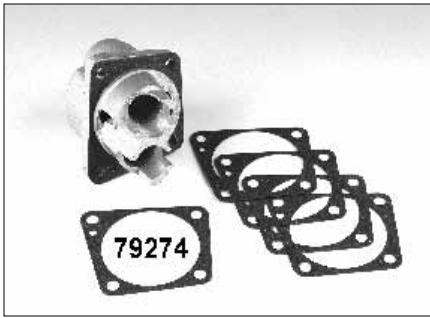
- 79837 1992-99 oil pump metal gasket and seal kit
- 79847 S&S HVHP oil pump kit w/RCM gasket w/bead



Oil Pump Kits

- 79818 Mylar 1981-91 (81-FL)
- 79819 Paper 1981-91 (81-FLH)
- 79820 Paper 1992-99 (92FLH)

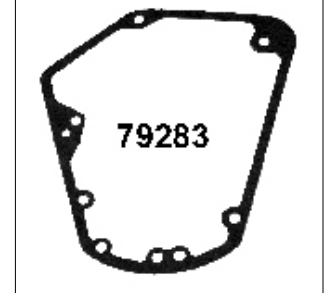
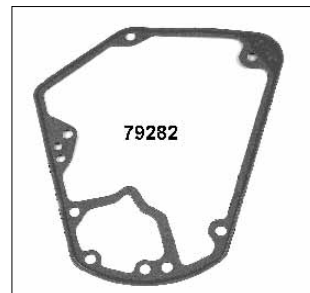
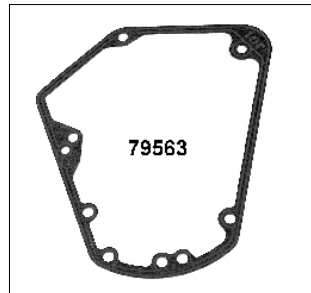
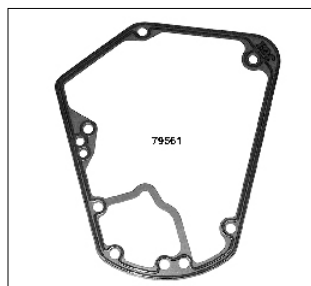
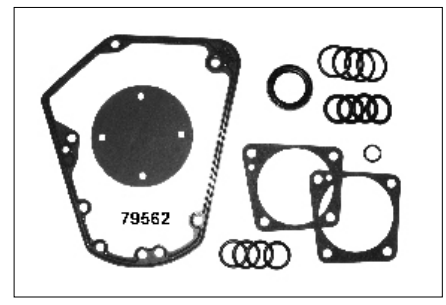
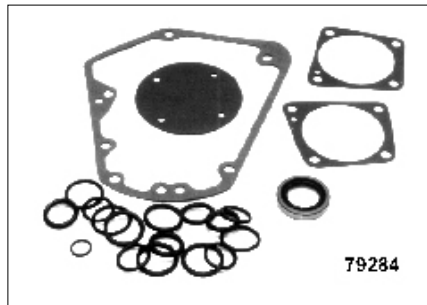
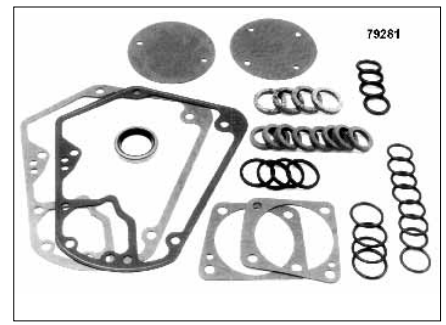
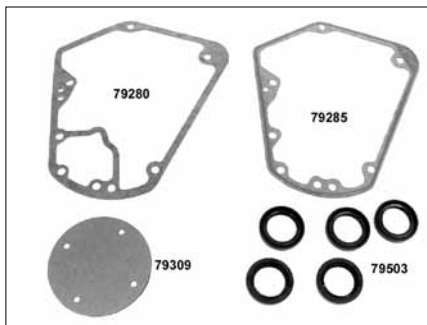
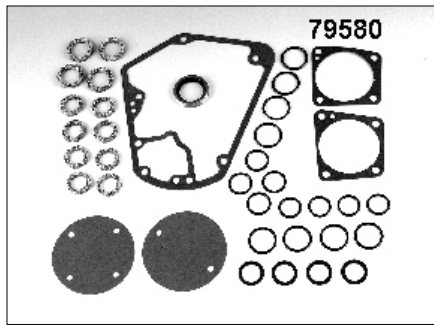
James BT EVO Motor



James BT EVO Pushrod & Tappet

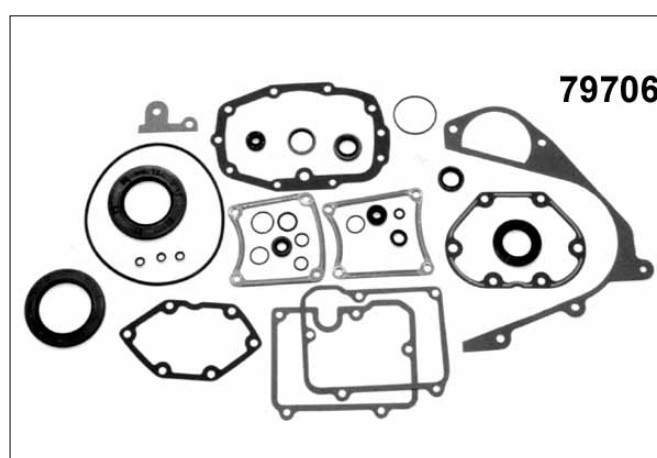
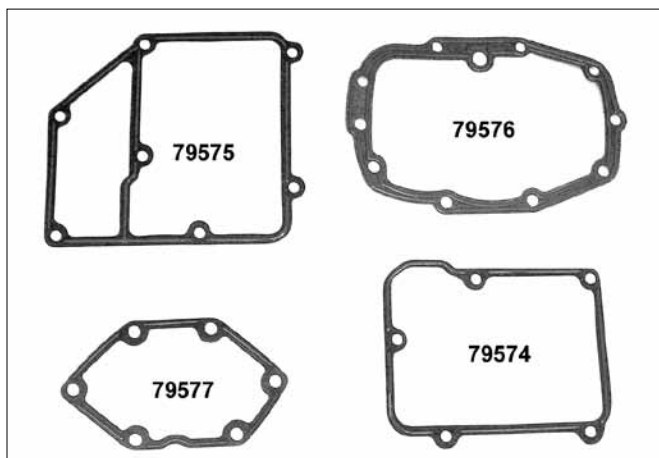
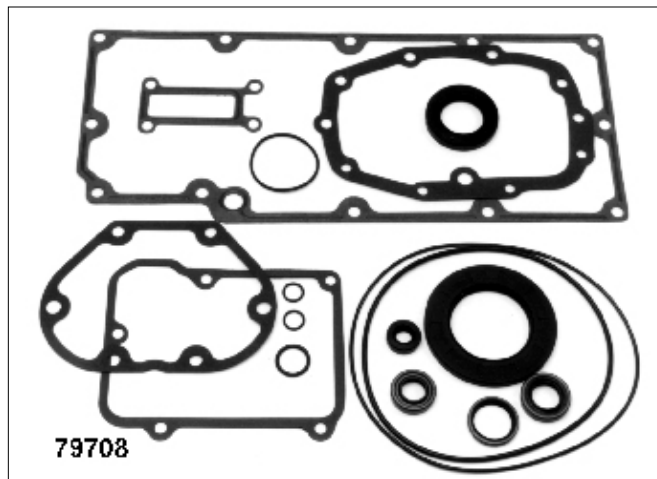
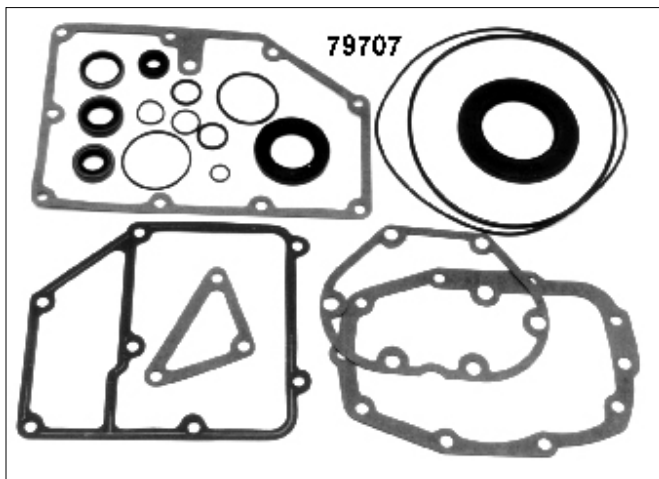
Preston	James	Year	Description	U/M
79023	11132	79-99	O-ring, centre push rod	25
79028	11133-V2	84-92	O-ring kit, pushrod tube (includes metal washers & Quads/o-rings)	kit
79031	11145	84-on	O-rings, tappet guide to pushrod cover	25
79032	11145-X	84-on	Quad seal, as above	25
79036	11157	84-09	O-ring, pushrod cover to cylinder head	25
79270	18633-48-A/C	48-90	Rear tappet block, .031 paper	10
79273	18633-48-A/B	48-90	Front tappet block, .031 paper	10
79274	18634-48-C	91-99	Front tappet block, .020 paper	10
79271	18633-48-D	91-99	Rear tappet block, .020 paper	10
79257	18633-48-K	91-99	F&R tappet block, .020 RCM with bead	2
79275	18633-48-X	91-99	Rear tappet block, .020 RCM with bead	5
79277	18634-48-X	91-99	Front tappet block, .020 RCM with bead	5

James BT EVO Motor



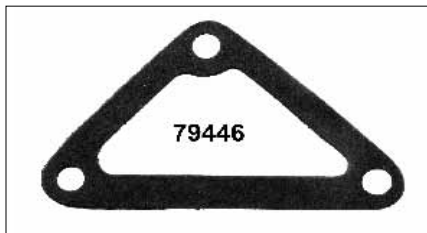
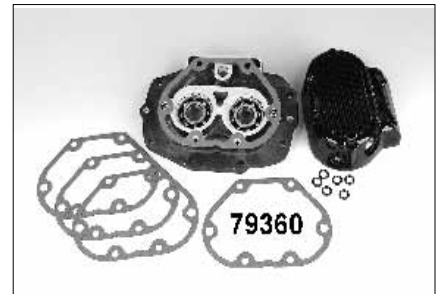
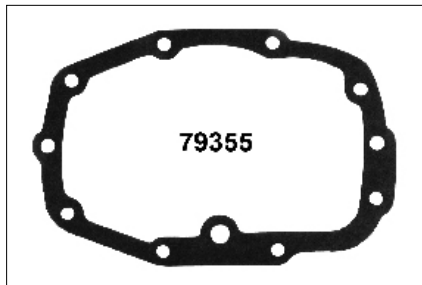
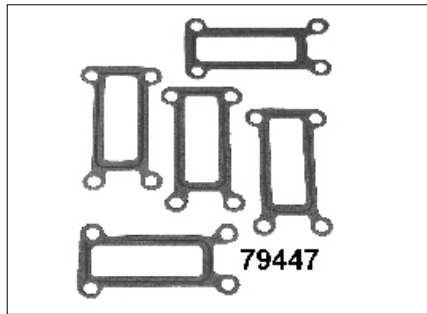
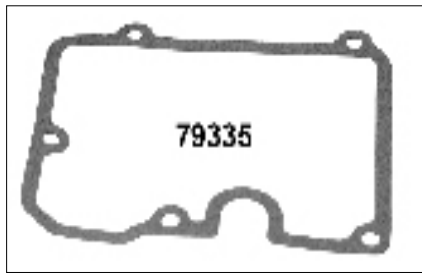
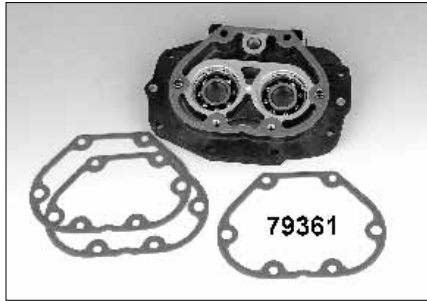
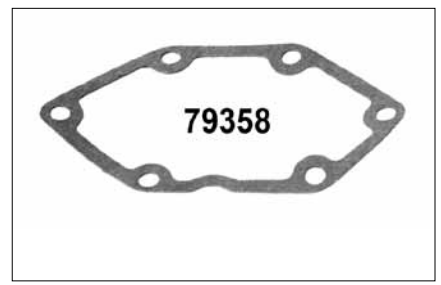
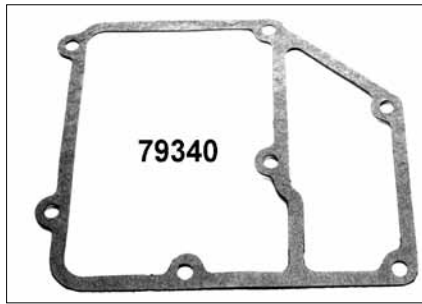
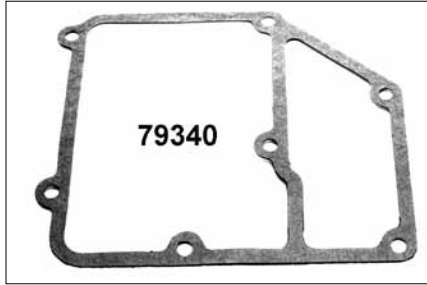
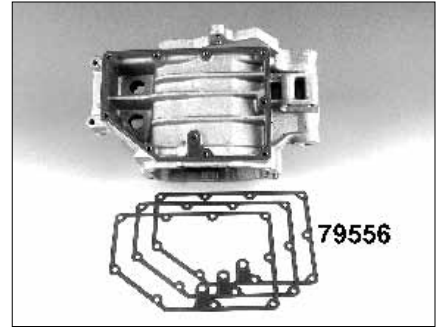
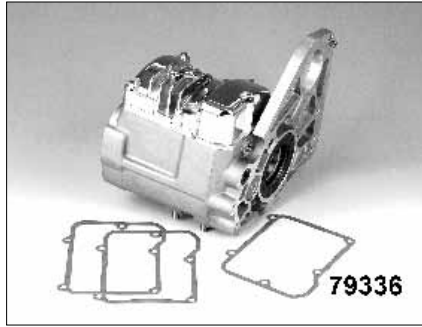
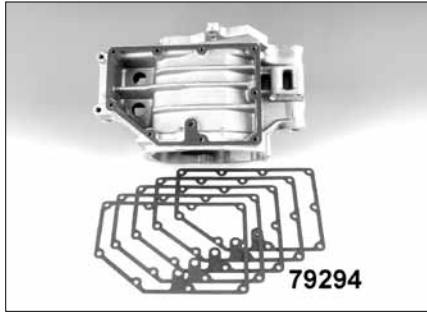
James BT EVO Cam Gaskets				
Preston	James	Year	Description	U/M
79280	25225-70-B	70-92	Gear cover, .031 black paper	10
79281	25225-70-K	70-92	Cam gear Quick change kit with .031 black paper cover	kit
79580	25225-70-KX	70-92	Gasket /seals, .036 cam cover metal core w/paper facing on 2 sides	kit
79282	25225-70-X	70-92	Gear cover, .031 paper with beading	5
79561	25225-70-XM	70-92	Gear cover, .036 metal core with paper face on 2 sides w/bead	ea
79283	25225-93	93-99	Gear cover, .031 black paper	10
79284	25225-93-K	93-99	Gasket & seals, .031 black paper	kit
79562	25225-93-KX	93-99	Gaskets/seals, Quick change, .036 metal core w/paper on 2 sides	kit
79285	25225-93-X	93-99	Gear cover, paper with beading	5
79563	25225-93-XM	93-99	Gear cover, .036 metal core, 2 paper facings with beading	ea
79309	32591-80	80-99	Circuit breaker cover, 4 hole	10
79502	83162-51	70-98	Oil seal, cam, metal O.D.	5
79503	83162-51-DL	70-98	Oil seal, cam, rubber O.D. with double lip	5

James BT EVO Transmission

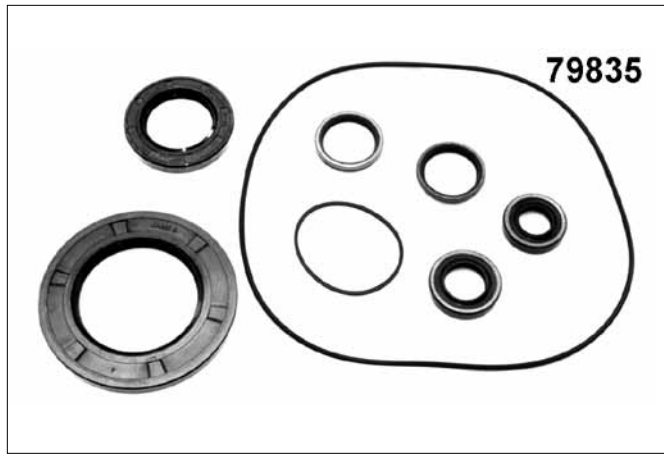
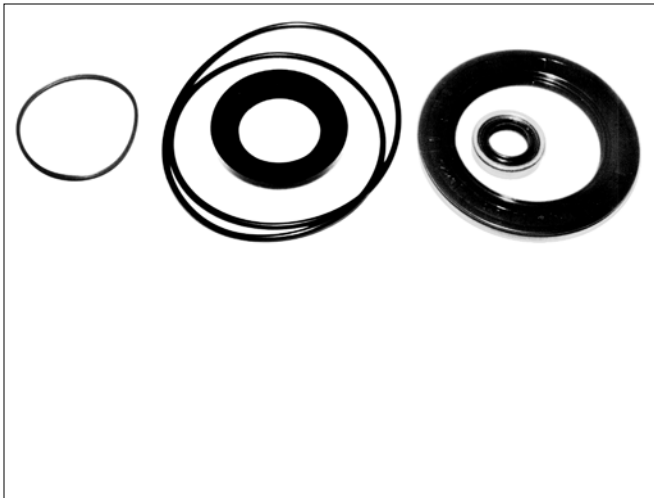


James BT EVO 5 Speed Transmission Gaskets				
Preston	James	Year	Description	U/M
79294	26072-90	91-98	Oil pan, Dyna 91-98	10
79556	26072-90-X	91-98	Oil pan, paper with beading on 1 side, Dyna 91-98	5
79295	26077-93	93-99	Oil pan, paper with beading, FLT	10
79706	33031-85	80-99	Gasket & seal kit, 5 speeds with out oil pan	kit
79707	33031-91	91-98	Gasket & seal kit, 5 speed Dyna	kit
79708	33031-93	93-98	Gasket & seal kit, 5 speed FLT	kit
79335	34904-79	79-85	Top cover, FLT-FXRT	10
79336	34904-86	86-03	Top cover, paper w/o beading FLT-FXR	10
79574	34904-86-X	86-03	Top cover, paper with beading, FLT-FXR	5
79340	34917-90	91-98	Top cover, paper, Dyna	10
79575	34917-90-X	91-98	Top cover, paper with beading, Dyna	5
79355	35652-79-A	79-98	Bearing cover, paper	10
79576	35652-79-X	79-98	Bearing cover, paper with beading	5
79358	36801-79	79-86	Clutch release cover, paper	10
79577	36801-79-X	79-86	Clutch release cover, paper with beading, FLT-FXR-FXRS	5
79360	36801-87-A	87-92	Clutch release cover, paper	10
79361	36801-87-X	87-on	Clutch release cover, paper with beading	5
79362	37091-80	80-86	Washer, nylon for oil dip stick	10
79446	62423-90	91-98	Oil spout, FXDB-S,Dyna	10
79447	62432-93	93-on	Oil spout, FLT	10

James BT EVO Transmission

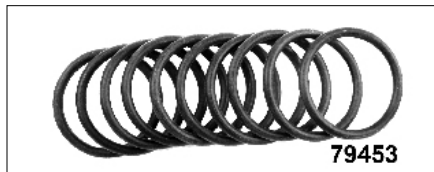
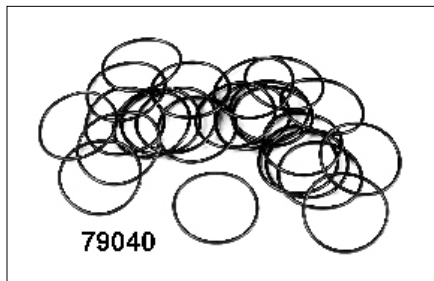


James BT EVO Transmission

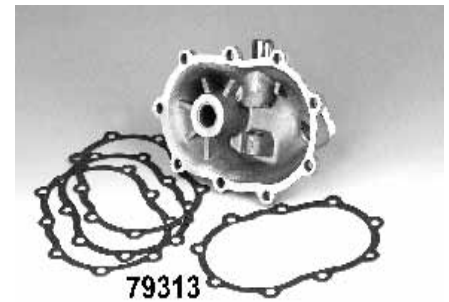
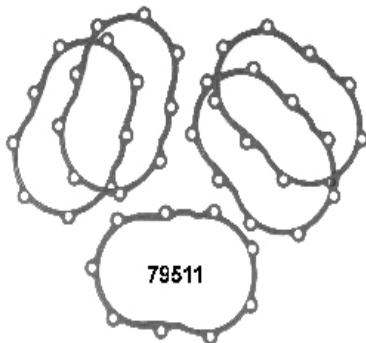


BT EVO Transmission Seals & O-Rings				
Preston	James	Years	Description	UM
79023	11132	91-on	O-ring, oil dipstick, Dyna	25
79039	11165	1984-09	Quad seal L/S trans spacer Softail	25
79040	11166	1985-86	O-ring, main drive gear, FXWG-FXSB-FXEF	10
79048	11178	1987-09	O-ring, end cover filler plug	25
79054	11191	1990-on	O-ring, gear shift lever, FXST-FXSTC-FLST	25
79487	12013	1985-90	Oil seal, main drive gear end, rubber o.d.	5
79060	12013-A	1991-06	Oil seal, 5 TH gear, metal o.d.	5
79070	12035-B	1991-06	Oil seal, 5 TH gear, blue o.d. sealant (5 speeds)	5
79077	12045-DL	1980-06	Oil seal, Shifter shaft, rubber o.d. double lip	5
79491	12045-M	1980-86	Oil seal, shifter shaft, metal o.d. double lip	5
79080	12050	1984-94	Oil seal, main drive	ea
79835	12050-K	1984-94	Oil seals, sprocket chain & belt	kit
79081	12051	1984-89	Oil seal, trans to starter, rubber o.d. double lip	5
79508	12067-A	1995-on	Oil seal, Transmission sprocket/pulley	ea
79513	12067-AK	95-on	Seal kit, main shaft	kit
79375	6007-X	1980-94	Washer, trans drain plug, metal with rubber inner for 5/8" drain	6
79318	34036-80	80-85	O-ring, shifter fork, FXST 4 speed	10
79363	37101-84	1984-86	Oil seal, clutch release lever, 5 speed	ea
79453	62672-90	1991-98	O-ring, oil pan dipstick, FXDB-S-Dyna	10

James BT EVO Transmission



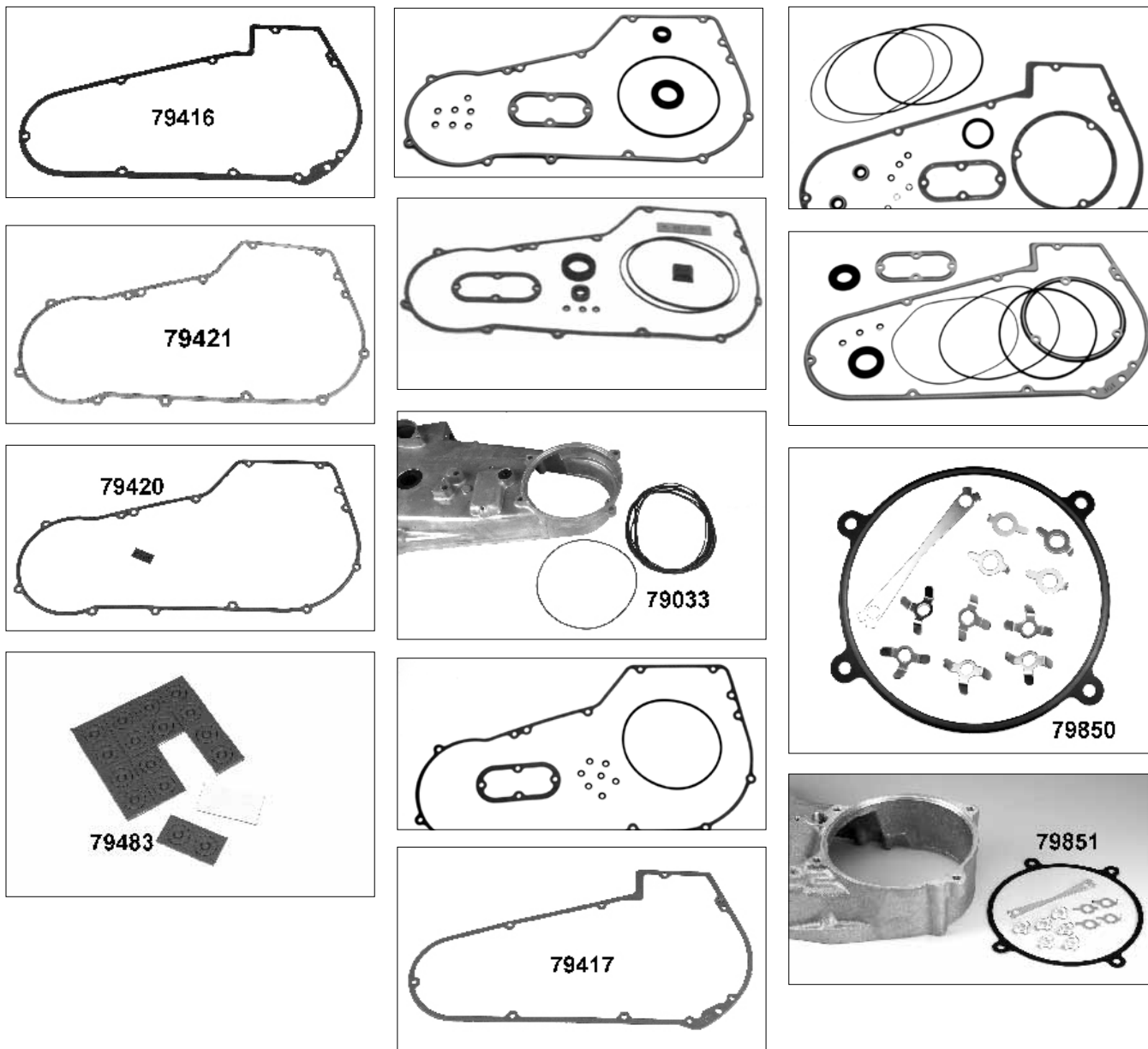
James BT EVO 4 Speed Transmission Gaskets



4 Speed Transmission

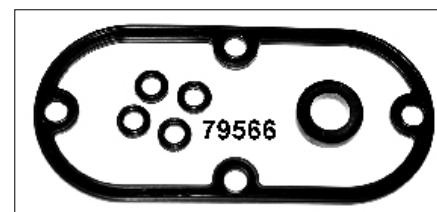
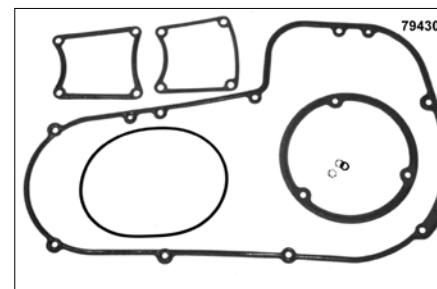
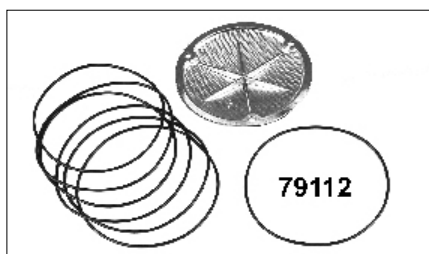
- 79313** Kick cover, 36-86 (33295-36) (10)
- 79511** As above with beading, (33295-36-X) (5)
- 79324** Top cover L1979-86 (34824-79) (10)

James BT EVO Primary



James BT EVO Softail-Dyna Primary Gaskets				
Preston	James	Year	Description	U/M
79850	11125-XM	84-06	Crankcase saver, RCM gasket & lock tabs	kit
79851	11125-XMF	84-06	Crankcase saver, Foamet gasket & lock tabs	kit
79033	11147	82-05	O-ring, alternator to crank case	10
79416	60538-81-A	81-85	Primary cover, .062 paper FLH-FX-FXS	5
79417	60538-81-C	81-85	As above, .062 paper with bead	5
79722	60538-81-K	65-85	Gasket kit, primary & inspection w/seals FLH-FX-FXS	kit
79723	60538-85-K	65-86	Gasket kit with all gaskets & seals, FLH-FXS	kit
79725	60539-89-KX	89-93	Gasket kit, .062 paper with bead, Softail-Dyna	kit
79420	60539-89-X	89-93	Primary, .062 paper with bead, Softail-Dyna	5
79421	60539-94	94-04	Primary, .062 paper with bead, Softail-Dyna	5
79733	60539-94-K	94-04	Primary kit, .062 paper with bead Softail-Dyna	kit
79424	60559-80	80-85	Starter motor mounting, FLH-FX-FXST-FXWG	10
79483	63859-95	95-on	Washer, inner chain cover mounting, (adhesive peel apart) Softail	16

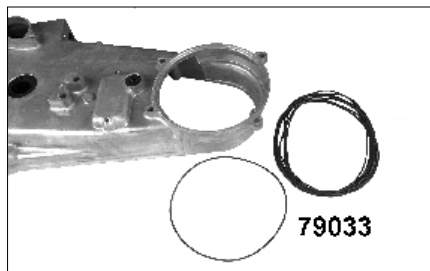
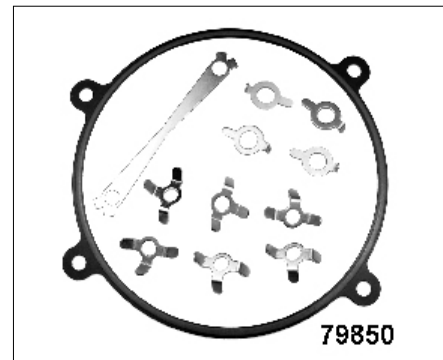
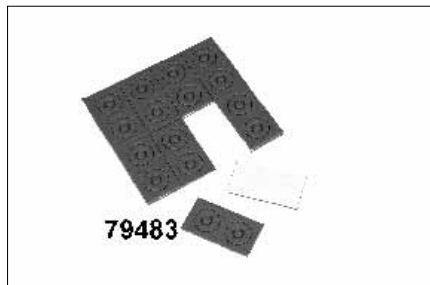
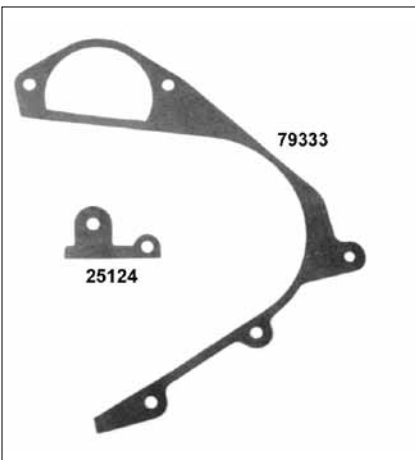
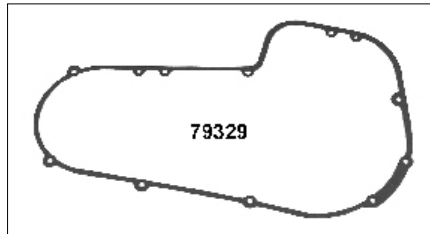
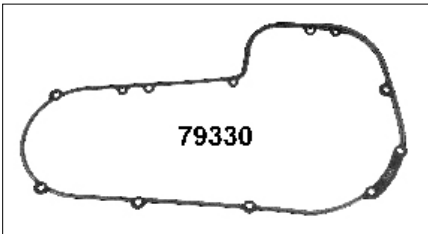
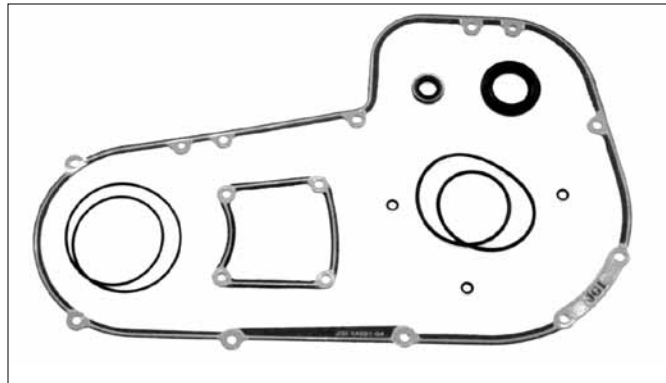
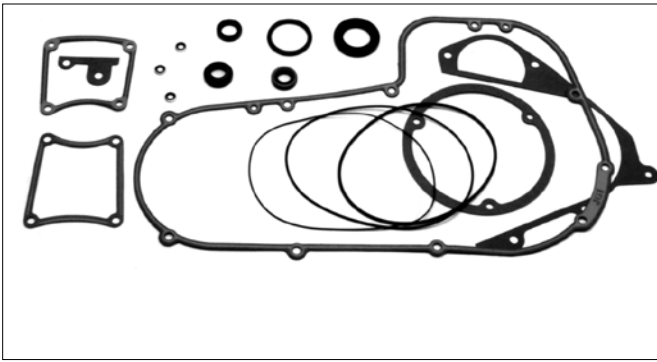
James BT EVO Primary



James BT EVO Softail-Dyna Derby-Inspection Gaskets

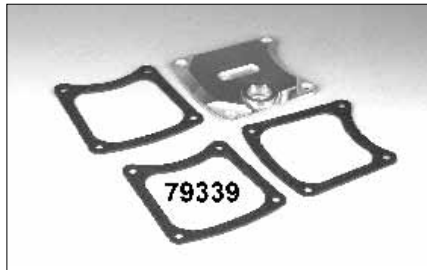
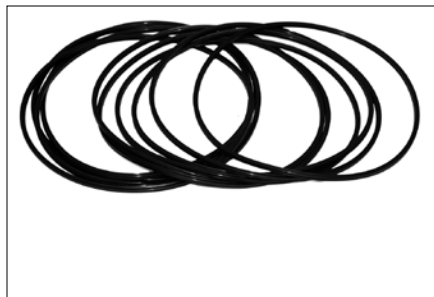
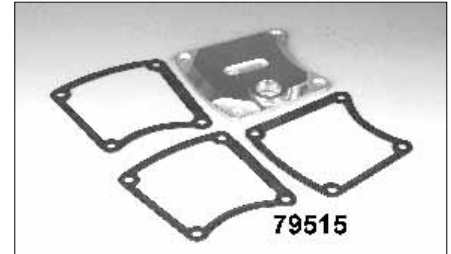
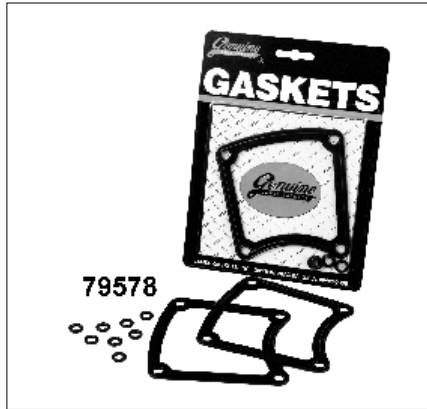
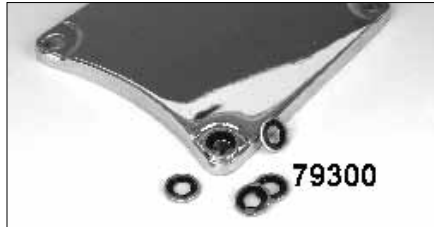
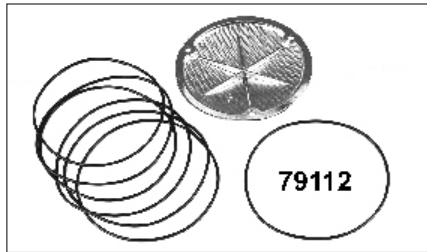
Preston	James	Year	Description	U/M
79551	25416-70-DL	70-98	Derby seal/gasket, molded rubber with metal insert	ea
79552	25416-70-K	70-98	Derby & inspection, all models	kit
79293	25416-70-X	70-98	Derby, .062 paper with bead	10
79112	25416-84	84-92	O-ring, derby cover	10
79113	25416-84-X	84-98	Quad seal	10
79516	25416-85-K	85-98	Derby & inspection (coated)	kit
79300	31433-84-A	84-09	Washer, metal washer with rubber sealing I.D.	5
79428	60567-65-B	65-on	Inspection, .062 paper with bead on 2 sides	5
79430	60567-90	65-on	Inspection, .062 paper with bead 1 side	5
79566	60567-90-DL	65-on	Inspection seal, molded rubber with metal insert	kit

James BT EVO Primary



James BT EVO FLT-FXR Primary Gaskets & Kits				
Preston	James	Year	Description	U/M
79850	11125-XM	84-06	Crankcase saver, RCM & lock tabs	kit
79851	11125-XMF	84-06	Crankcase saver, Foamet & lock tabs	kit
79033	11147	82-05	O-ring, inner primary to engine	10
79329	34901-79-A	83-93	.062 paper primary (no beading)	5
79330	34901-79-B	83-93	.062 paper with beading	5
79731	34901-85-K	80-93	Gaskets & seals, inner & outer (most with bead)	kit
79332	34901-94	94-04	.062 paper with bead	5
79732	34901-94-K	94-04	Gaskets & seals (most with bead)	kit
79333	34902-79-A	79-85	Inner primary to transmission, .030 paper	10
79334	34903-79	79-85	As above, (small one) .030 paper	10
79483	63859-95	95-on	Paper washer, inner chain housing, adhesive peel apart backing	16

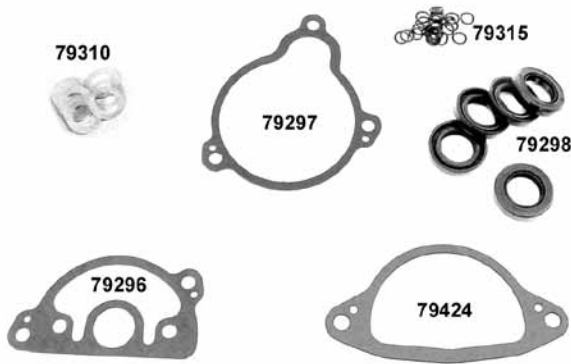
James BT EVO Primary



James BT EVO FLT-FXR Derby & Inspection Gaskets				
Preston	James	Year	Description	U/M
79293	25416-70-X	70-98	Derby cover, .062 paper with beading	10
79551	25416-70-DL	70-98	Oil seal, derby cover molded rubber with metal insert	ea
79112	25416-84	84-92	O-ring, derby cover	10
79113	25416-84-X	84-98	Quad seal, derby cover	10
79516	25416-85-K	85-98	Inspection & derby kit, coated	kit
79300	31433-84-A	84-09	washer, clutch & inspection covers, metal washer w rubber sealing	5
79339	34906-85	85-04	Inspection cover, .062 paper with bead on 2 sides	5
79578	34906-85-DL	85-04	Inspection cover, molded rubber on metal insert	ea
79515	34906-85-X	85-04	Inspection cover, steel core with bead	5

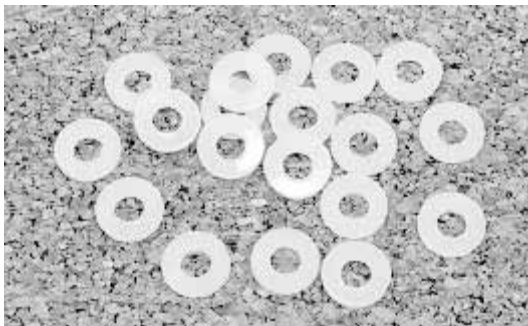
James BT EVO Gaskets

NOTE: Most gaskets sold in 10 packs check U/M Price List.



Starter and Electrical

- 79085** Oil seal, starter motor shaft BT 89-93 (12053)
- 79296** Gasket, starter motor FL-FXB 1980-85 (31320-80)
- 79297** Gasket, start/cover FXWG-FXB 1980-85 (31321-80)
- 79298** Oil seal, start shaft FL-FXB 80-85 (31341-80DL) (5)
- 79314** O-ring, starter bolt 1990-on (33340-90) (25pk)
- 79315** O-ring, starter bolt 1989-only (33345-89) (10 pk)
- 79310** Nylon washer, neutral switch FLT-FXR-Softail 1980-on (33043-80)
- 79318** O-ring, starter motor L1980-85, 4 speed (34036-80)
- 79424** Gasket, starter to primary FL 80-85 4 spd (60559-80)

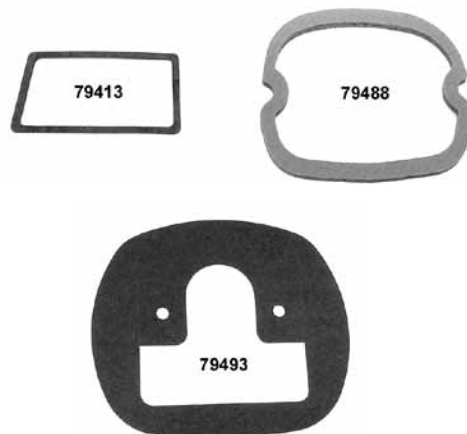


Carburetor and Gas Tank

- 79157** Seal, manifold 86-09 (26995-86-A)
- 79510** Blue intake manifold seal 86-09 (26995-97-X)
- 79319** Seal (metal molded ring) 86-09 (26995-98)
- 79159** Seal, manifold to carb 89-06 (27002-89) (ea)
- 79826** Seal kit, manifold to carb 89-06 (27002-89-K) kit
- 79823** Keihin carb kit 84-89 (27006-76)
- 79824** Keihin carb kit 90-99 (27006-88)
- 79163** Manifold to carb 86-87 (27077-78)
- 79555** Manifold to carb w/silicone 79-89 (27077-78-X)
- 79164** O-ring, float bowl CV carbs 90-on (27121-89)
- 79165** O-ring, drain screw 89-91 (27157-89)
- 79168** O-ring, float bowl 83-89 (27324-83)
- 79118** Pump diaphragm 76-89 Keihin (27361-76) (ea)
- 79184** O-ring float bowl/body 92-on (27577-92) (5 pk)
- 79190** .030" Carb to air cleaner 88-90 (29059-88)
- 79389** Paper w/adhesive as above (29059-88A)
- 79497** Air cleaner steel w/paper facing 88-90 (29059-88X)
- 79167** Air cleaner backplate gasket kit, 95-05 (29062-95-K)
- 79392** A/C backplate w/adhesive 95-09 (29313-95) (10)
- 79435** O-ring, fuel filler cap FXR/S, ST 85-on (61109-85-C)
- 79443** Fuel valve 75-on (62172-75) (20 pk)
- 79481** O-ring, fuel cap FXRS 88-on (61192-88) (10 pk)
- 79482** Cork fuel canopy EFI 95-on (61326-95) (5)

Misc. Gaskets

- 79199** Black nylon washer Softail shifter (6057) (10 pk)
- 79466** Seat to fender nylon FXST 1982-09 (6410) (20 pk)
- 79484** .065 seal, speedo drive 87-99 FXST-FLT (67098-87)
- 79485** .125" seal, as above (67118-87) (10)



Wheel Seals (5 Packs)

- 79411** .410" Wheel L1985-99 (47519-83-A)
- 79412** .250" Wheel 1984-E85 (47519-83-DL)

Tail Light and Signals

- 79413** Gasket fender lamp lens FLT 1980-on (59181-80)
- 79488** Tail lamp lens 1973-93 FLT, FXR, Dyna, FXST (68027-90) (5pk)
- 79493** Gasket, tail lamp to fender 1973-98 (68123-73)
- 79496** O-ring, turn signal lense 1986-on (68451-86)
- 79499** Gasket, turn signal lens BT, FL, FLHT 1963-85 (68521-63-A)

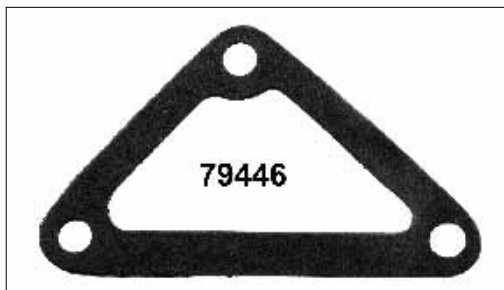
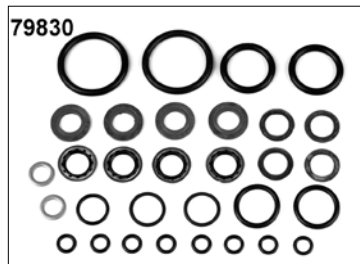
James BT EVO Gaskets

NOTE: Most gaskets sold in 10 packs check U/M Price List.



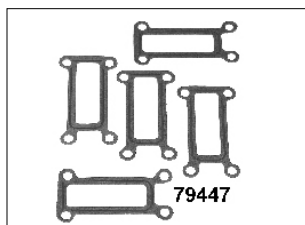
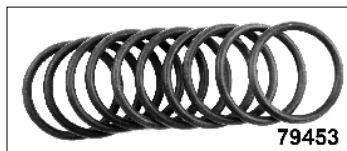
Fork Leg Components

- 79383** 39mm Seal FXR 1987-on (45378-87) (ea)
- 79384** 35mm seal FXR 1983-86 (45387-83) (ea)
- 79388** Copper washer, damper screw 84-85 FXRT (10 pk)
- 79390** Gasket, air control 1987-on Tour (45583-83) (10 pk)
- 79395** 41mm Seal FLT 1984-on (45846-84) (each)
- 79398** 41mm Seal FXST, FXWG 1984-on (45875-84) (ea)
- 79386** Fork dust cover FXR L88-94 (45401-87) (each)
- 79391** Fork tube cap seal FL, ST 48-86 (45733-48) (10pk)



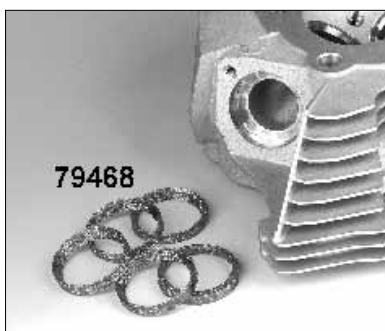
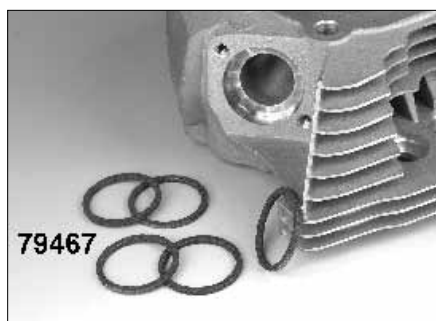
Fork Seal Kits

- | PCP | Description |
|--------------|---|
| 79805 | FXST, FLST, FLT 1984-03 (45849-84) |
| 79806 | 35mm FXR's, FXEF, FXSB 1984-03, XL 1984-87 (45849-84-A) |
| 79830 | Front fork air control 1983-92 Touring w/air control (45849-84-K) |
| 79807 | 39mm Dyna, FXR, FXDB, FXLR 87-on (45849-87) |



Oil Tank & Lines (10 pk except where noted)

- 79446** Gasket, oil spout Dyna 1991-98 (62423-90)
- 79447** Trans oil spout gasket FLT 1993-on (62432-93)
- 79453** O-ring, oil pan dipstick Dyna 1991-98 (62672-90)
- 79456** Seal, oil feed tube rubber Dyna 1992-98 (63525-92)
- 79457** Seal, feed tube mount Dyna 1992-98 (63528-92) (5)



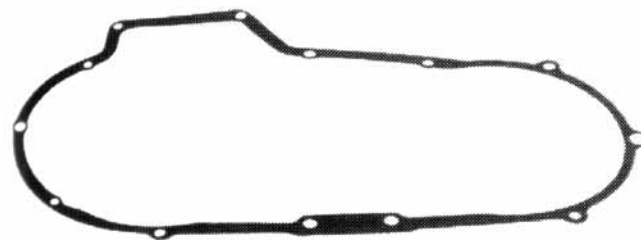
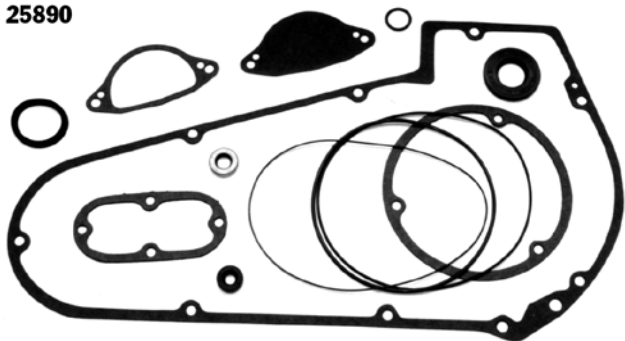
Exhaust Gaskets

- 79467** Mesh exhaust rings to head 1984-on (65324-83) (10)
- 79468** Tapered graphite rings to head 1992-on (65324-83-A) (5 pack)
- 79469** Gasket, muffler clamp FLT 1985-94 (65721-85) (10)
- 79470** Mesh crossover tube ring FXR-FXST, Dyna 1982-98 (65781-82) (each)
- 79472** Gasket, exhaust inter connect Dyna, FXDB-S 1991-02 (65826-90) (each)
- 79833** Exhaust mount kit Evo/TC 1986-on (EV-1) (kit)



Preston EVO & XL Gaskets

25890

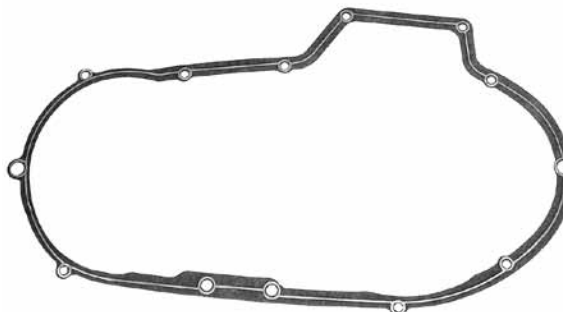


Sportster Primary Gasket
Preston Application
25300 XL 1991-03 (34955-89)

Chain Cover Repair Kit BT 1980-on

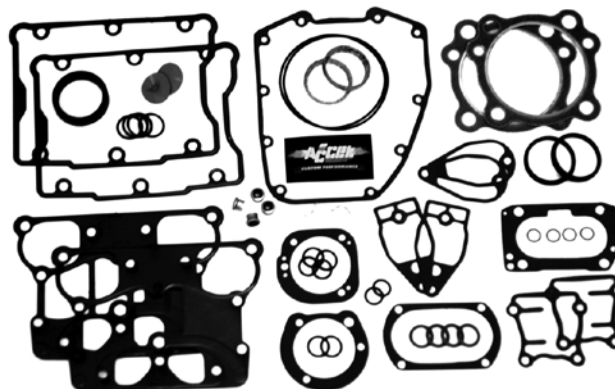
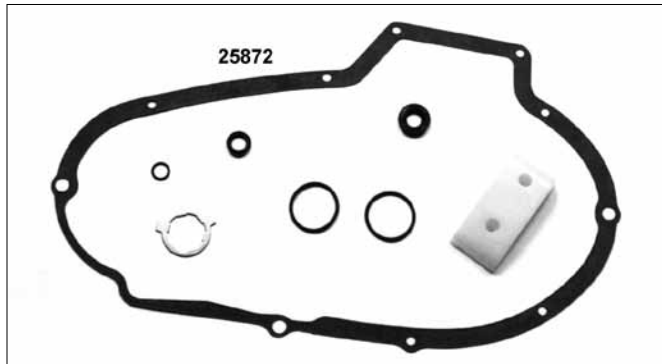
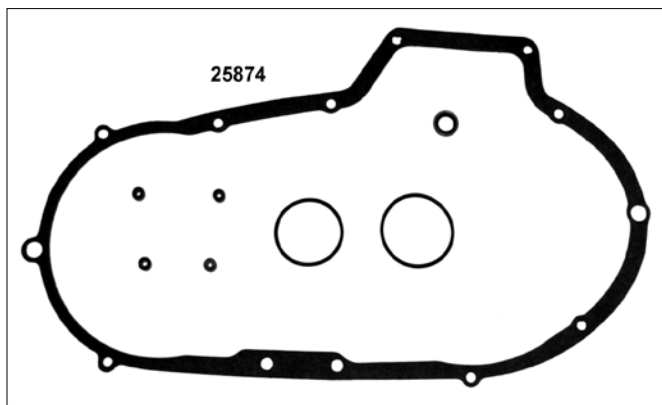
This kit contains all the necessary parts that are required when making inner primary repairs, primary chain service, clutch hub service, or left side transmission repairs. Kit also saves time in that one part number covers all necessary parts.

- 25893 1985-93 FLT-FXR 5 speed
- 25897 1994-06 FLT-FXR
- 25878 2007-on FLT
- 25894 1986-89 FXST 5 speed
- 25895 1990-93 FXST 5 speed
- 25896 1994-98 FXST-FXD



G/B XL Primary Gasket 1991-03

.060 Gasket with silicone.
150647 5 Pack (34955-89)



Accel Twin Cam Motor Gasket Kits

PCP Application
25539 Top end 1550cc big bore gasket kit all 1999-on

Sportster Primary Kit

Includes gaskets and small parts.

- | PCP | Fits |
|-------|---------------------------|
| 25872 | 1980-89 all models w/pad |
| 25873 | 1990-03 all models w/pad |
| 25874 | 1991-03 all models no pad |
| 25875 | 2004-on no pad |



Stokers Copper Gaskets

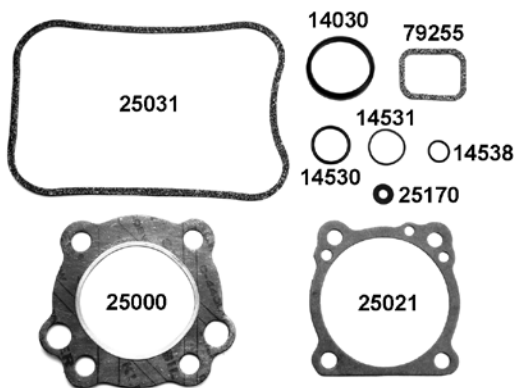
These USA, top quality copper gaskets are made out of dead soft copper. They are the finest base, and tappet block gaskets available, and can be re-used.

Kit with Base and Tappet Block Gaskets

25251 Big Twin Evo with S&S 3 13/16"

Evo Gaskets

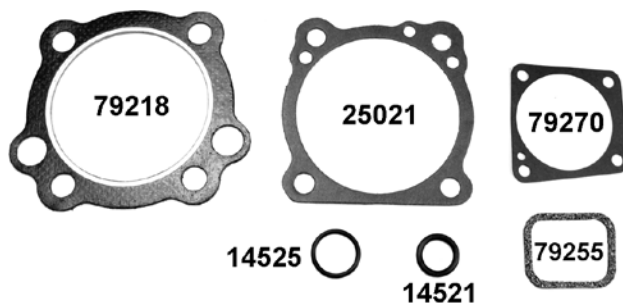
NOTE: Most gaskets sold in 10 packs unless noted.



Evolution Sportster 883-1100-1200 Gaskets

1986-03 models.

PCP	Item
25000	Cylinder head 883 1986-03 (16664-86)
25001	Cylinder head 1100 (16665-86) (pair)
25021	Cylinder base (16774-86A)
14538	Stud o-ring (26432-76A)
25030	Lower rocker (17353-86)
25031	Upper rocker (17354-86)
79255	Inner rocker (17358-84)
14530	Upper tappet-O (11167A)
14531	Lower tappet-O (11168A)
25170	Washer (63858-49)
14030	Intake seals (26995-86A) (5 pk)

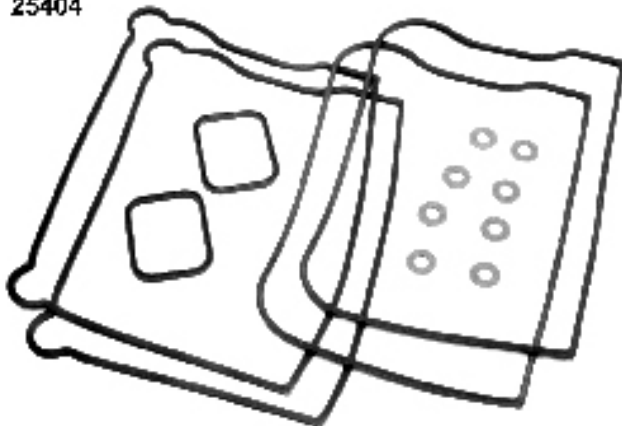


1340CC Evolution Gaskets

For 1984-on Big Twin (10 pack)

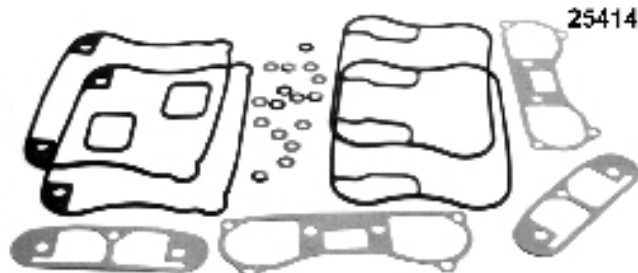
PCP	Item
79218	Head gasket (16773-85) (5 pack)
25021	Cylinder base (16774-86A)
14538	Stud O-ring (26432-76A)
25032	Lower rocker (17355-84)
25033	Upper rocker (17356-84)
79255	Inner rocker 1984-86 (17358-84)
79256	As above 1987-99 (17358-84A)
79270	Rear tappet 1948-91 .031 (18633-48C)
79273	Front tappet 1948-91 .031 (18634-48C)
25170	Washer (63858-49)
14525	Lower push rod cover (11145)
14521	Upper push rod cover (11157)

25404



Silicone Rocker Box Gaskets for Evolution® Motors 1984-91

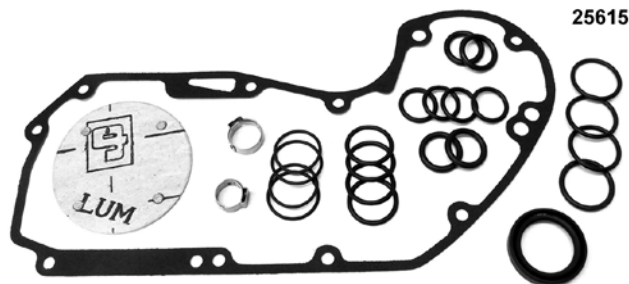
PCP	Fits
25401	Lower rocker cover (17355-84B) (pair)
25402	Upper rocker cover (17356-84B) (pair)
25403	Inner rocker cover (17358-84B) (pair)
25404	Kit, 2 each of above (enough for 1 engine)



EVO Rocker Cover Gasket Kits

These gasket kits include both rocker to head gaskets; then your choice of **Molded O-Ring** or **Cork** cover gaskets with bolt seals and washers for two heads for models listed.

PCP	Type	Year	Model
25412	Cork	1986-89	883 XL
25413	O-Ring	1984-91	1340 BT
25414	O-Ring	1991-03	883-1200 XL
25415	O-Ring	1992-99	1340 BT



Quick Change Cam Gear Gasket and Seal Kit

Fits XL motors. Includes both cork and quad seals for push-rods to fit all year range.

PCP	Application
25615	1986-90
25616	1991-03

Gaskets



Oil Pump Rebuild Kit

Includes all gaskets, seals, clips, keys, check ball for 1981-91 FX-FL Big Twin.

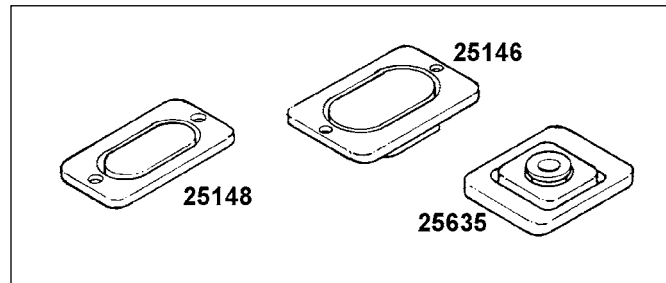
25602 1981-91 Paper



Transmission Gasket Kits For Big Twins

Transmission kits contain all the gaskets and seals needed to rebuild transmissions. (Imported)

6576 1985-90 Big Twin 5-speed (33031-85)



Master Cylinder & Reservoir Top Gaskets

Front Description

25148 Master cylinder 1982-84 (45455-80) (ea)

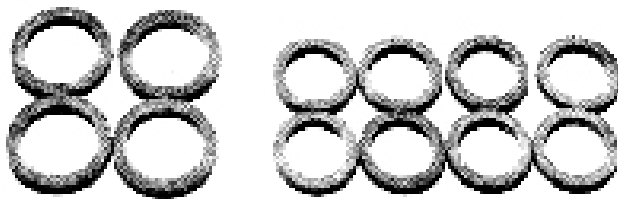
25146 Master cylinder 1985-95 (45005-85) (ea)

25635 Master cylinder 1996-04 (45005-96) (ea)

Rear Description

25142 Reservoir 1982-87 (42455-82) (ea)

25146 Sportster (45005-85) (ea)



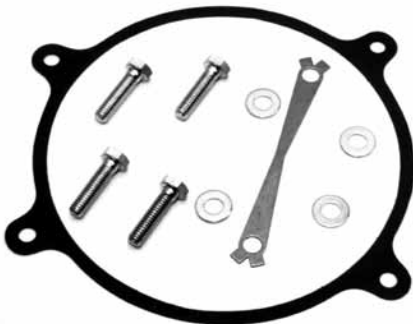
Pushrod Cover Cork-Seal Kits

Includes enough pieces to seal 4 complete pushrod covers on years listed. Available in cork, OEM-type Quad, or Buna-N machined rubber seals.

PCP Type Model/Year

25632 Rubber Sportster 1986-91

25634 Rubber XL 883 1200 1991-on



GB Inner Primary Repair Gasket Kit

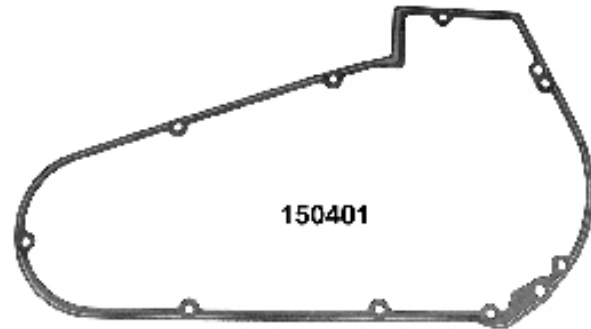
Includes gasket to replace o-ring seal when the lip of the motor is partially or entirely broken off. To avoid machining and welding, grind the partially broken lip smooth and install the gasket. Special locktab and bolts included.

PCP Application

25157 1970-85

25609 1986-89

25612 1990-05



Big Twin Silicone Beaded Gaskets

High Density material with silicone beading. (5 packs)

PCP Description

150401 .062 Primary 9 hole 1965-85 (60538-81A)

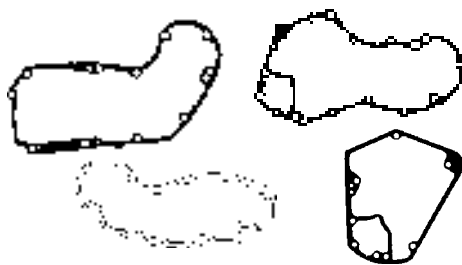
150677 Primary cover FXST, Dyna 1989-93 (60539-89)

150404 .068 Primary FXST 1994-04 (60539-94)

150967 Primary FLT 1994-06 (34901-94)

Preston EVO & XL Gaskets

Cam Cover Gaskets



Cam Cover Gasket Reference

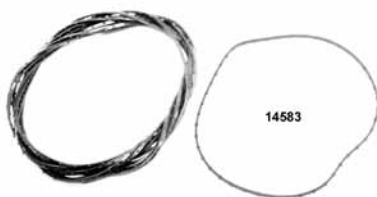
OEM	Years	Model
25225-70	1970-on	BT 74 & 80
25263-86	1986-89	Sportster
25263-90	1990-on	Sportster



Oil Pump Gasket and Seal Kit

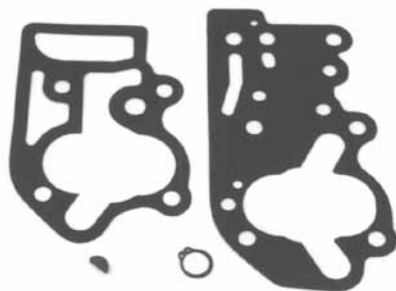
Use on 1977-90 Sportster models 1000cc.

25605 5 Piece Kit



TC Clutch Cover Quad Seal

14583 25416-99B (10 pack)



BT Exhaust Gasket Kit BT 1985-on

Includes 2 snap rings.

25607

NOTE: Most gaskets sold in 10 packs check U/M in Price List

PCP	OEM	Description
25000	16664-86	Gasket, head 883cc fire ring
25001	16665-86	Gasket, head 1100cc graphite 1986-87 (pr)
25021	16774-86-A	Gasket, cylinder XL 1989-on
25404	17038-90	Rubber rocker cover set 1984-91
25030	17353-86	Cork lower rocker XL 1986-90 883-1100
25219		As above (pair)
25031	17354-86	Cork upper rocker XL 86-90 883-1100-1200
25220		As above (pair)
25032	17355-84-A	Cork lower rocker BT 1987-91
25033	17356-84-A	Cork upper rocker BT 1987-91
14600	17369-06	O-ring, derby cover to outer primary FXD 2006-on
79280	25225-70B	Cam cover 74 1970-92
25210	25263-90	Cam cover XL 1991-03
10308	26340-36	Key, oil pump shaft small
10310	26348-15	Key, oil pump shaft
11060	26348-36	Snap ring, oil pump
25084	26495-75	Oil pump mounting XL 1977-on
25202	26495-89	Oil pump mounting, XL 1989-on
835	27006-76	Keihin carb kit 1976-87
41019	27361-76	Diaphragm pump 1976-on
25096	29058-77	Gasket, air cleaner to carb 1977-87
25186	29059-88	Air cleaner XL 1988-on, BT 1990-on
25097	29243-83	Coupler compliance fitting 1984-89 all Twins
2471	29250-78A	Carb insulator block kit 1978-89
25188	31321-80	Gasket, starter cover FL 1983-85
25187	31320-80	Starter shaft housing FL 1983-85, FXWG, FXSB 1984-*
25106	31488-81	Starter motor housing XL 1981-on
25110	32591-80	Point cover electronic ignition 1980-99
25111	33196-79	Trans shift cover FL, FX 1979-85 4-speed
25115	34624-77	Foot peg stud all XL 1977-on
79324	34824-79	Trans top cover FL, FX 1979-86 4-speed
25122	34901-85	Primary cover BT 1985-93 (except FXST) (5 pk)
79335	34904-79	Transmission top cover FLT, FXR 1979-85
25126	34904-86A	Transmission top cover BT 1986-06
25300	34955-89	Primary cover XL 1991-03
25148	42455-80	Rear master cylinder cover BT 1980-on (reservoir cover 1983-on) (ea)
25142	42455-82	Rear brake reservoir 1982-on FXST, XL master cylinder 1982-on (ea)
25146	45005-85	M/C top cover hand brake all 1985-95 Twins, rear FLST master cylinder L1987-on (ea)
14069	47519-83-A	Seal .250" BT 1983-99
14107	47519-83-DL	Seal .411" double lip BT 1985-99



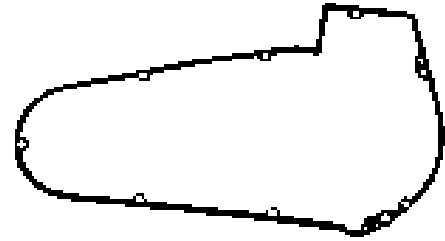
Mesh Exhaust Port Gasket 1999-on

25608 5 Pack

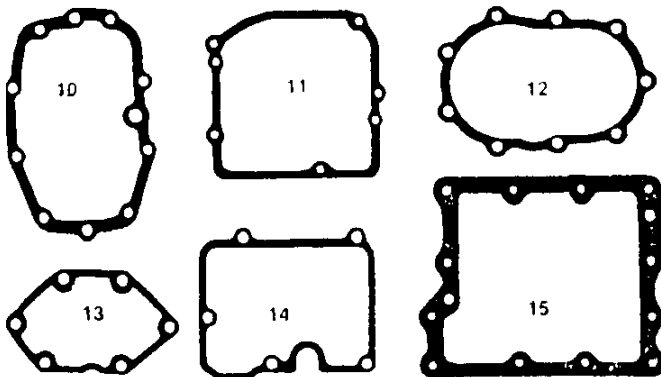
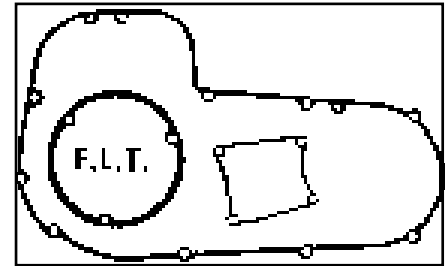
Preston EVO & XL Gaskets

NOTE: Most gaskets sold in 10 packs check U/M in Price List.

PCP	OEM	Description
25192	59181-80	Front fender lamp lense FLT 1980-on, FL L82-on (each)
25153	60538-81-A	.062" Primary cover gasket FXST 1984-88 4 speed (5 pack)
25154	60539-86	Primary cover, 9 hole FXST 1986-88 (5 pack)
150400	60540-65A	Primary cover BT 4 speed 1965-85 8 hole (5 pack)
150401	60538-81A	9 Hole, as above with silicone (5 pack)
25157		Aluminum inner primary repair kit 4-speed BT 1970-85
25609		Inner primary repair kit 1986-89
25612		Inner primary repair kit 1990-05
25617		Inner primary repair kit 2006-on FXD
150677	60539-89-X	.062" Thick gasket with silicone Softail & Dyna 1989-93 (5 pk)
25163	61109-85D	Gas cap all ratcheting type FXR 1982-on (pair)
25194	61192-88	Cap gauge FXR/S 1988-on (5 pack)
25195	61311-82	Fuel gauge FXR/T 1987-on (5 pack)
25170	63858-49	Primary drain plug XL 1971-on; valve cover 1984-on Evo
25172	65324-83A	Mesh type EV2 ex. port BT 1984-on, XL 1985-on (pr)
25177	--	New type exhaust port (with copper facing)
25181	68025-73	Taillamp lens all Twins 1973-89 (each)
25197	68047-79	Rear fender lamp lense BT L1982-on, FLT 1980-on (5 pack)
79493	68123-73	Taillamp to fender 1973-on all Twins
23002	68123-73BE	Taillamp to fender beaded edge rubber type 73-on Twins (ea)
25183	68481-73	Turn signal lens FX 1973-85
25602	-	Paper BT oil pump set 1981-91
25605	-	Oil pump gasket & seal kit XL 1000cc 1977-90



Primary Gasket FL-FX 1965-88
150401 9 Hole (60538-81A)



Trans Cover Gasket Reference

OEM	Item	Spd.	No.
33295-36	Side cover	4	12
34824-36	Top cover	4	15
34824-79	Top cover	4	11
34904-79	Top cover	5	14
35652-79	End cover	5	10
36801-79	Release cover	5	13

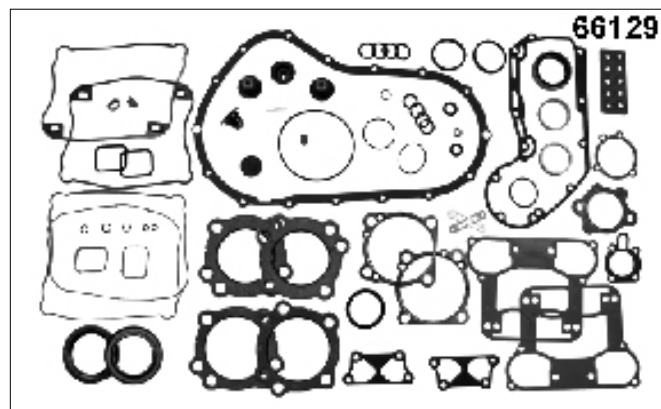
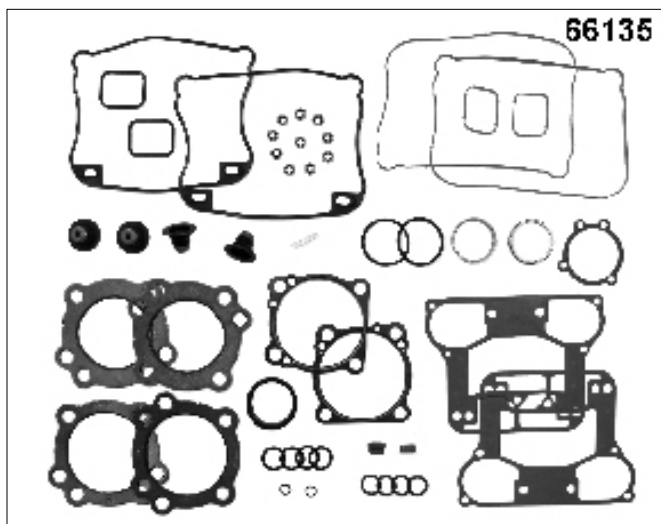
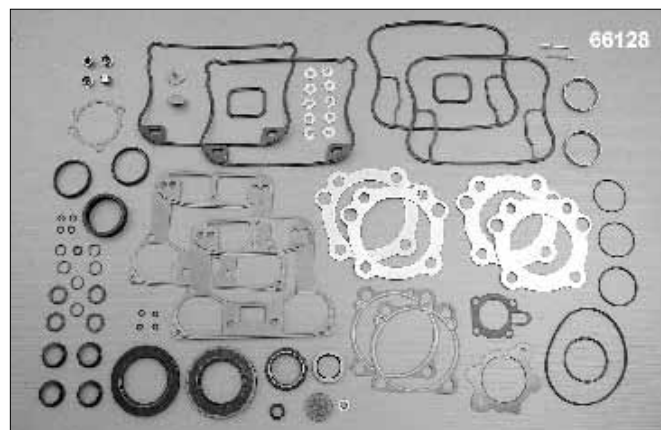
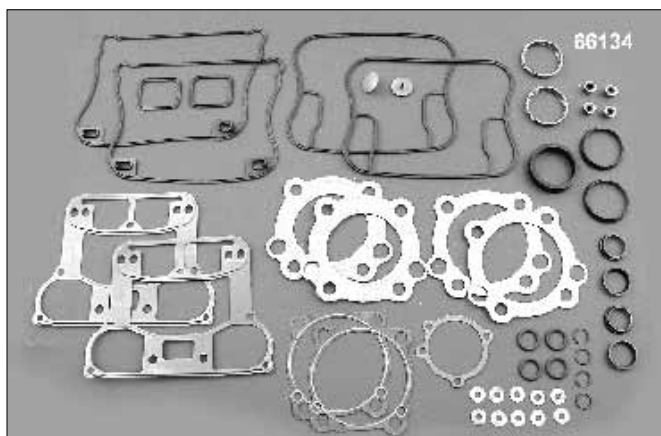
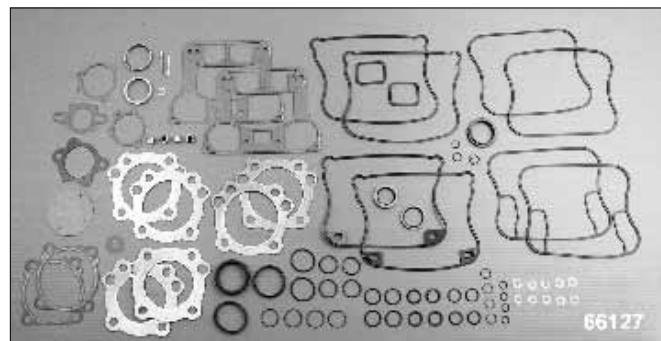
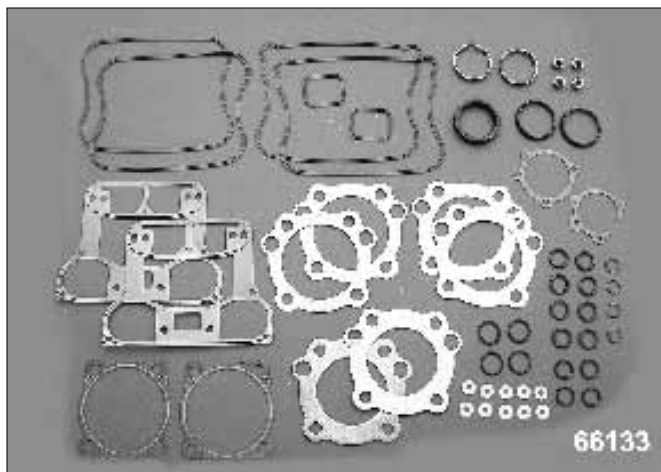
Ignition Cover Gasket

Use on all 1970-99 Twins.

PCP	Type
25109	2-Hole (32591-70)
25110	4-Hole (32591-80)



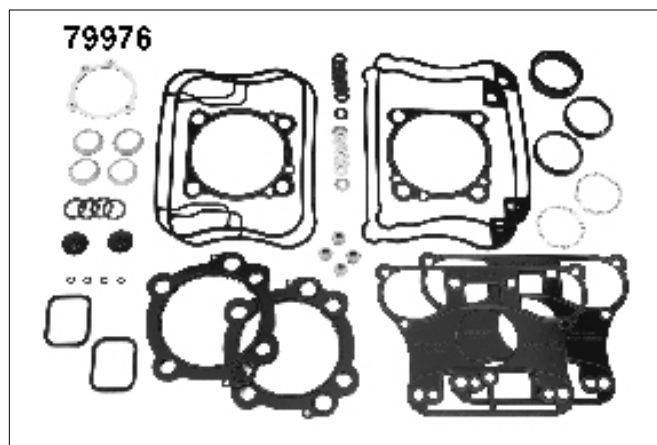
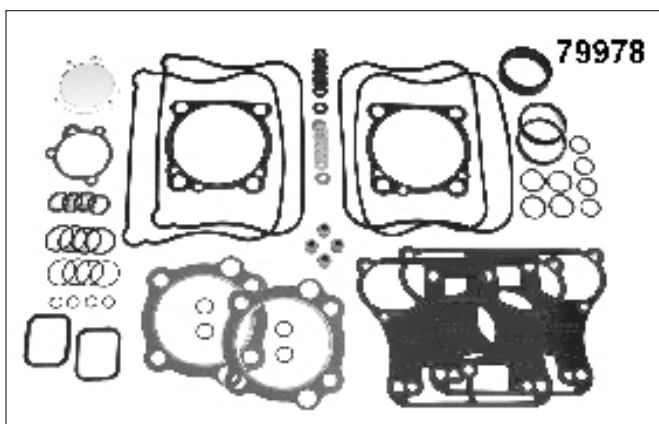
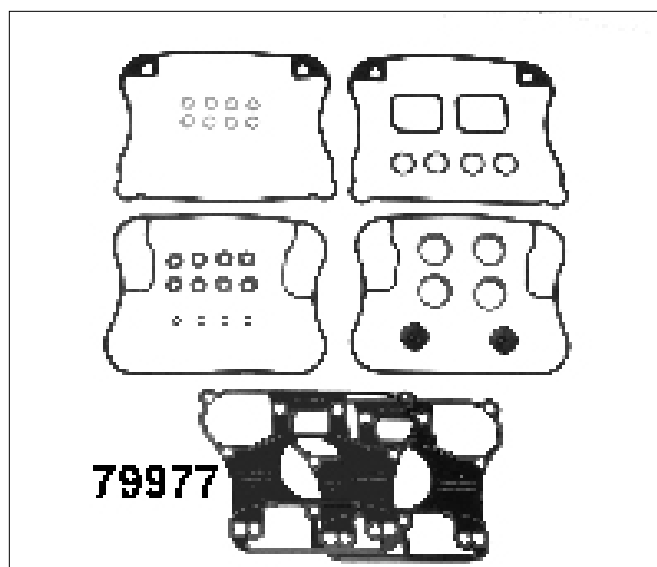
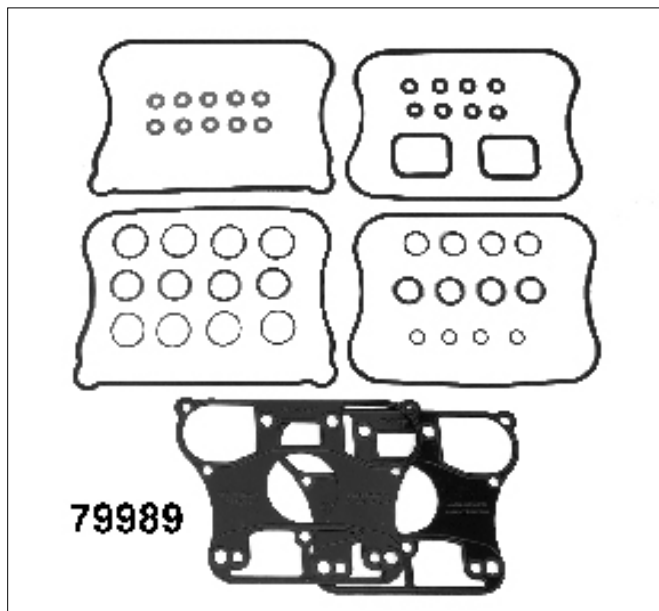
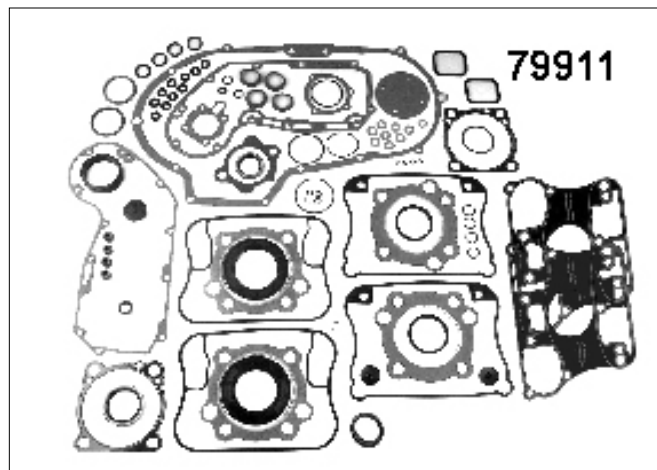
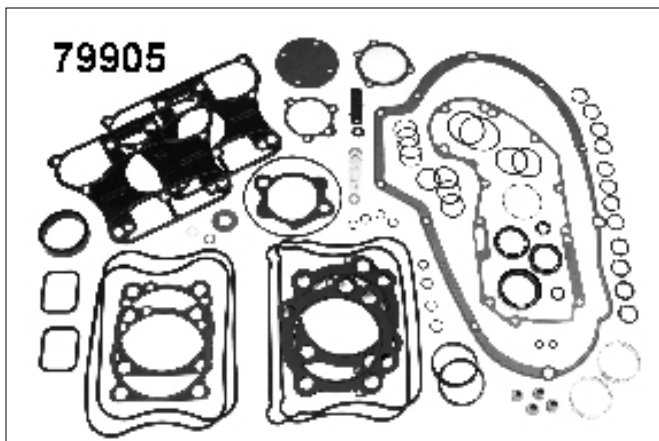
Topline Sportster Gasket Kits



XL Complete Gasket Sets

PCP	Application
66127	1986-90 (17026-86A)
66128	1991-03 (17026-91D)
66129	2004-on (17027-04B)
Top End Kits	
66133	1986-90 (17032-86B)
66134	1991-03 (17032-91)
66135	2004-on (17049-04A)

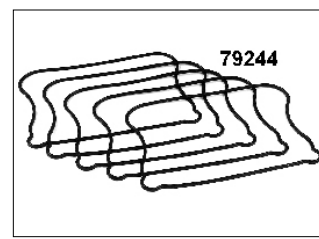
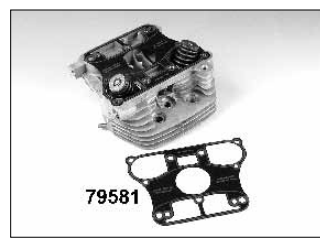
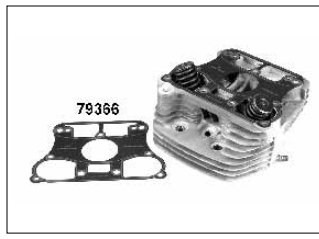
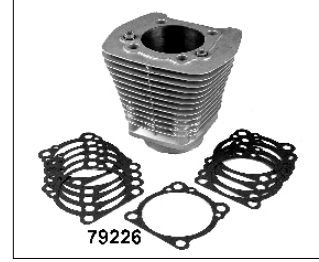
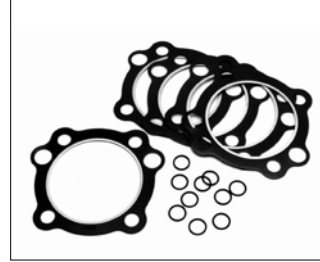
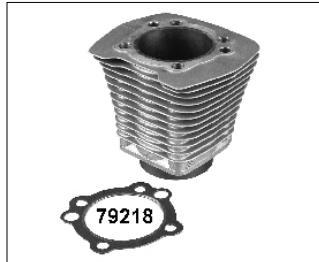
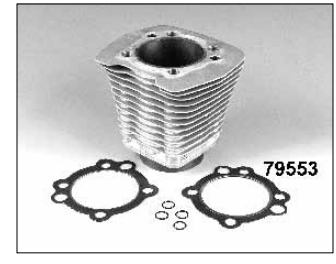
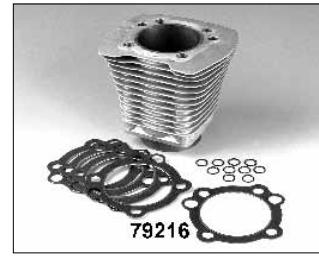
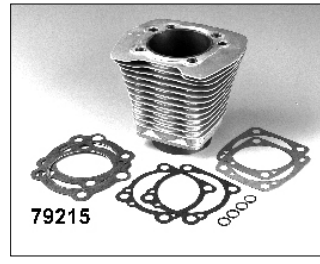
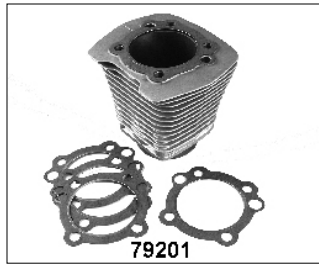
James Sportster Gasket Kits



Evolution Gasket Sets

- 79929 Motor set w/metal base and rocker base 1986-90 (17026-86)
- 79905 Motor set w/MLS head, .020" RCM base & RCM 1 pc rocker cover, rubber 'D' covers 86-90 (17026-86MLS)
- 79911 Motor set w/.045" blue teflon head & rubber rocker cover gaskets 883 91-03 (17026-91)
- 79912 Motor set W/MLS head, .020" base & 1 pc RCM rocker base and rubber 'D' covers 1200 91-03 (17026-91MLS)
- 79971 Rocker cover set, w/beaded paper rocker base & rubber rocker cover gaskets 86-90 (17030-89)
- 79989 Rocker cover set w/1 pc metal rocker base & rubber rocker covers 86-90 (17030-89-X)
- 79977 Rocker cover set w/paper beaded rocker 1 pc base, & rubber rocker covers 91-03 (17030-91)
- 79990 Rocker cover set w/1 pc rocker base rocker, & rubber rocker cover gaskets 91-03 (17030-91-X)
- 79978 Top end set w/.045 1200cc head, 1 pc metal rocker base & rubber 'D' covers 86-90 (17032-86-B)
- 79975 Top end set w/MLS head, RCM .020" cyl/base & RCM 1 pc rocker base, rubber 'D' covers 86-90 (17032-86MLS)
- 79979 Top end set w/.045" head, metal cylinder & rocker base and rubber 'D' covers 1200cc 91-03 (17032-91)
- 79976 Top end set w/MLS head, .020" RCM cyl/base & 1 pc RCM rocker base and rubber 'D' covers 91-03 (17032-91MLS)

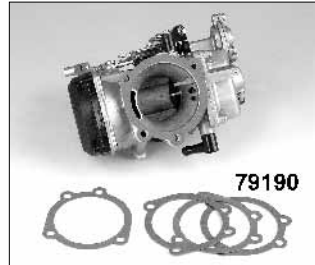
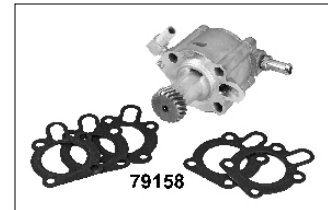
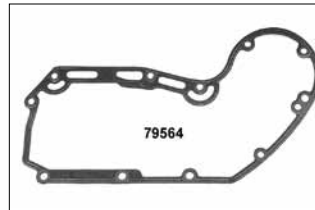
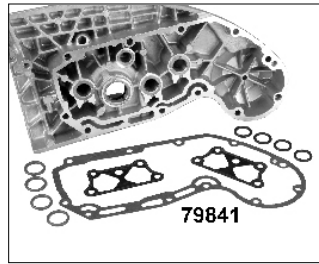
James Sportster Evo Gaskets



James Sportster Cylinder & Head Gaskets

Preston	James	Year	Description	U/M
79439	6114C	86-99	Copper washer, rocker cover	10
79440	6114R	86-99	Washer, rubber on steel, rocker cover	8
79200	16664-86	86-08	Head, blue teflon with fire ring, .046 / final crush .042 for 883cc	5
79201	16665-86	86-87	Head, as above for 1100cc	5
79215	16770-84-A	86-on	Cylinder set, 2 head .046 / final crush .042, 2 base .031/.025 1200cc	set
79216	16770-84-B	86-on	Head, graphite with fire ring, .048 / final crush .042 for 1200cc	5
79567	16770-84-MLS	86-on	Head, MLS, with .020 RCM base 1200cc	4 pc
79553	16770-84-X	86-on	Head, graphite with fire ring, .036 / final crush .030 1200cc	2
79218	16773-85	86-on	Head, .064 / final crush .056 (includes locating rings) 1200cc	5
79219	16773-85-T	86-on	Head, with fire ring, .046 / final crush .042 1200cc	5
79226	16774-86	86-on	Cylinder base, 883-1200	10
79228	19774-96	86-on	Cyl/base, .022 RCM with bead, final crush .020 1200cc (not 1200N)	2
79236	16774-96-XT1	86-on	Cyl/base, .016 RCM with bead, 883-1200cc (not 1200N)	2
79237	16774-96-XT2	86-on	Cyl/base .010 as above	2
79366	16779-84-X	86-on	Rocker cover base, 1 piece paper with bead	2
79581	16779-99-X	86-on	Rocker cover base, 1 piece steel with bead	2
79243	17353-86	86-90	Cork lower rocker cover	5
79244	17353-86-A	86-90	Rubber as above	5
79245	17353-89	91-03	Rubber lower rocker cover	5
79246	17354-86	86-90	Cork upper rocker cover	5
79247	17354-86-A	86-90	Rubber as above	5
79248	17354-89	91-03	Rubber as above	5
79255	17358-84	84-90	Cork center rocker cover	10
79256	17358-84-A	86-03	Rubber as above	10

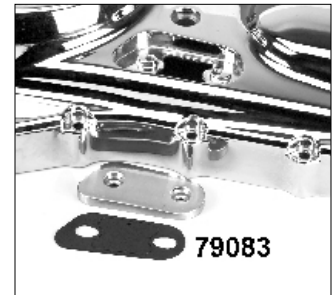
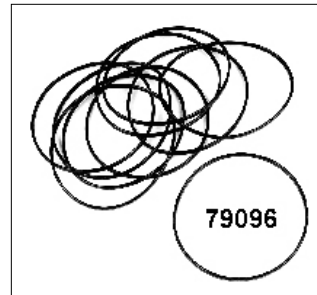
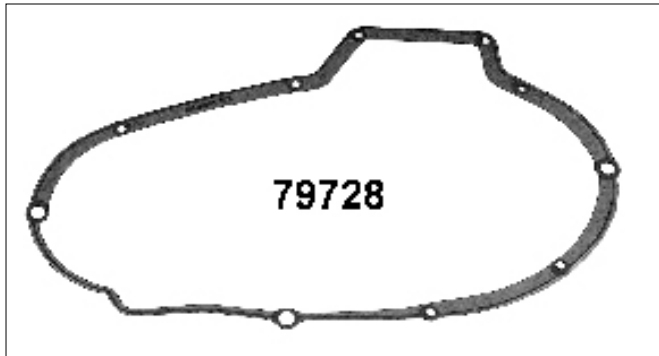
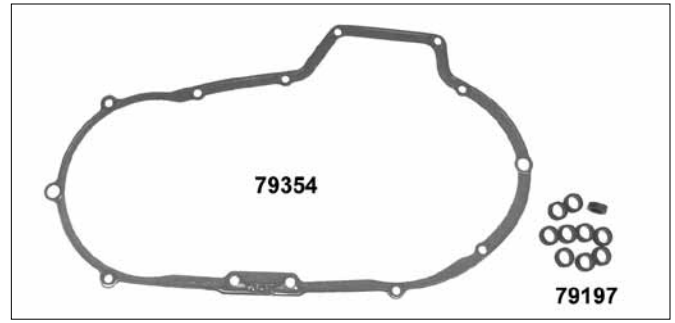
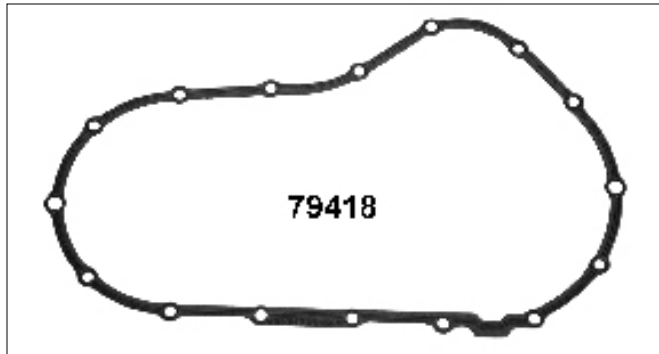
James Sportster Gaskets



James Sportster Engine Base & Carb Gaskets

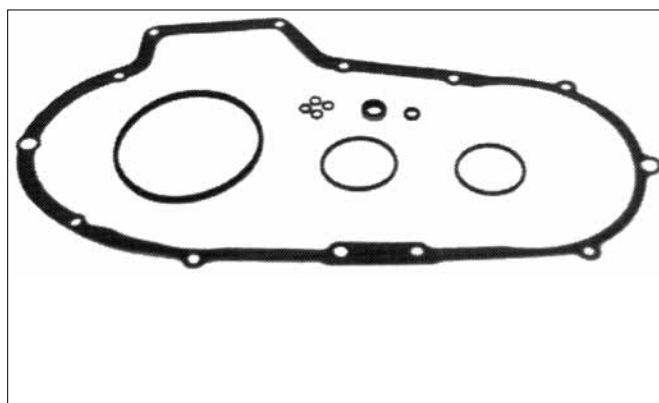
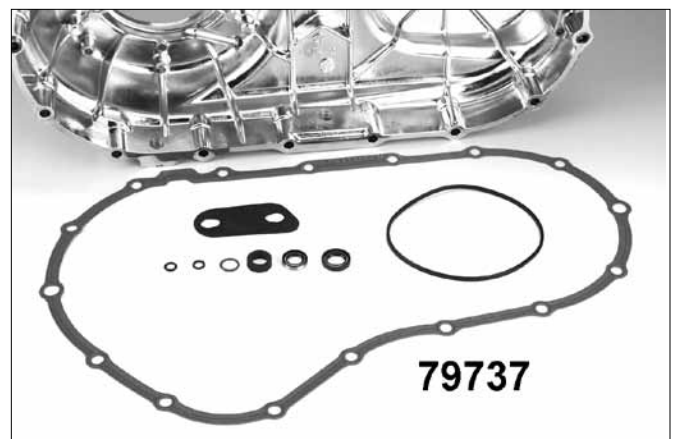
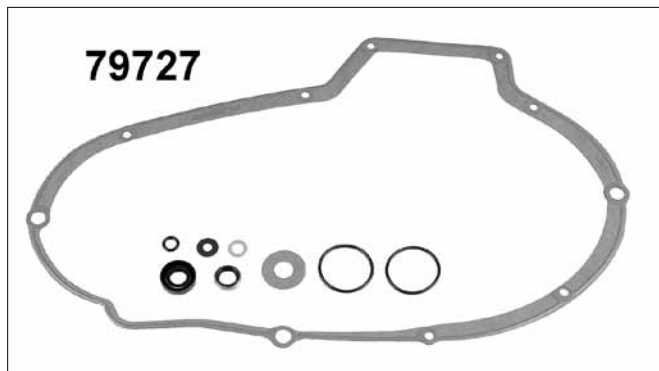
Preston	James	Year	Description	U/M
79814	77-XL	77-90	Gasket & seals	kit
79848	JGI-91-XL	91-08	Gasket, paper, o-ring & snap ring	kit
79584	11377-K	04-08	Tappet/push rod kit with RCM base	kit
79289	25263-86	86-90	Cam gear cover, .031 paper	10
79585	25263-86-X	86-90	Cam gear cover, .031 paper with bead	5
79290	25263-90	91-03	Cam gear cover, .031 paper	10
79586	25263-90-X	91-03	Cam gear cover, .031 paper with bead	5
79583	25263-00-KX	00-03	Cam gear cover kit, .031 paper with bead and all seals	kit
79564	25263-00-X	00-09	Cam gear cover, .031 paper with bead	5
79841	25263-04-KX	04-09	Cam gear cover kit, .020 paper with bead and tappet and seals	kit
79154	26495-75	77-90	Oil pump mounting, paper	10
79155	26495-89	91-08	Oil pump mounting, paper	10
79158	26495-89-DL	91-08	Oil pump mounting, rubber on steel	5
79823	27006-76	76-87	Keihin carb overhaul	kit
79824	27006-88	88-06	Keihin carb overhaul	kit
79152	27044-90	91-on	Air cleaner spacer, paper	10
79163	27077-78	86-87	Manifold to carb, paper	10
79555	27077-78-X	86-87	Manifold to carb, metal core with beading on 2 sides	10
79153	27311-76A	76-06	Rubber boot, accelerator pump (also used on S&S carbs)	10
79118	27361-76	76-89	Diaphragm, for accelerator pump (Keihin)	ea
79190	29059-88	88-90	Air cleaner, .030 paper	10
79389	29059-88-A	88-90	Air cleaner, .030 paper with adhesive peel apart backing	10
79497	29059-88-X	88-90	Air cleaner, Steel core with paper facing on 2 sides	5

James Sportster Evo Gaskets



James XL Primary Cover Gaskets

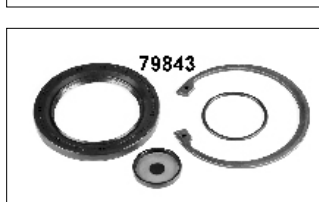
PCP	Year	Description
79096	94-03	O-ring, derby cover (25463-94) (10 pk)
79344	77-90	.030" primary paper (34955-75) (10 pk)
79728	77-90	.030" paper w/beading (34955-75-X) (5 pk)
79345	91-03	.030" paper (34955-89) (10 pk)
79354	91-03	.030" paper w/beading (34955-89-X) (5 pk)
79197	91-03	Shifter lever to chain seal (7019) (10 pk)
79418	04-09	.030" paper w/bead (34955-04-X) (5 pk)
79736	04-09	Foamet primary w/bead (34955-04-F) (ea)
79083	04-09	Molded rubber, inspection (34986-04) (5)



James Sportster Chain Cover Gasket Kit

James	Description
79727	1977-90 paper with bead (34955-75-K)
79729	1991-03 paper with bead (34955-89-K)
79737	2004-09 .030 paper with bead (34955-04-K)

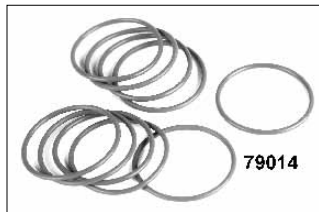
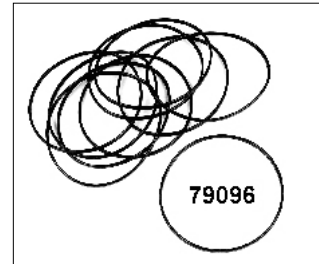
James Sportster Evo Gaskets



James Sportster Seals

Preston	James	Year	Description	U/M
79197	7019	91-on	Seal, shifter shaft to chain	10
79020	11124	71-03	Oil seal, cam shaft, metal o.d.	5
79021	11124-DL	71-03	Oil seal, cam shaft, rubber o.d.	5
79032	11145-X	86-06	Quad seal, push rod cover at tappet guide	25
79039	11165	84-on	Quad seal, left side transmission spacer	25
79584	11377-K	04-08	Gaskets & seals, with RCM tappet gaskets	kit
79069	12030	91-08	Bore seal, main drive gear end	5
79079	12049-DL	84-90	Oil seal, transmission sprocket shaft	5
79080	12050	91-94	Oil seal, transmission main drive, 4 speed	ea
79508	12067-A	95-on	Oil seal, transmission sprocket/pulley	ea
79843	12074-XL	06-09	Oil seal kit, transmission main shaft	kit
79088	17944-89	91-03	Seal, push rod lower tube	10
79537	18001-83-A	83-04	Seal, valve stem, viton, spring loaded	4 pk
79505	18094-02	04-08	Seal, valve stem, "top hat" style, XL 04-08 & BT 05-08	4 pk
79157	26995-86-A	86-09	Seal, manifold	10
79510	26995-97-X	86-09	Seal, blue for intake manifold	10
79319	26995-98	86-09	Seal, intake manifold, metal ring molded in, sleeve O.D. 1.800	10
79159	27002-89	89-06	Seal, manifold to carb	ea
79826	27002-89-K	89-06	Seal kit, manifold to carb	kit
79118	27361-76	76-89	Diaphragm, accererator pump	ea
79348	35151-74	74-on	Oil seal, engine sprocket	5
79363	37101-84	86-05	Oil seal, shifter shaft	ea
79097	37107-06	06-09	Oil seal, shift lever	5
79411	47519-83A	85-99	Oil seal, .411" wheel	5
79443	62172-75	75-pn	Seal, gas tank fuel valve	20
79441	62172-02	02-06	Viton seal, fuel valve tap	5

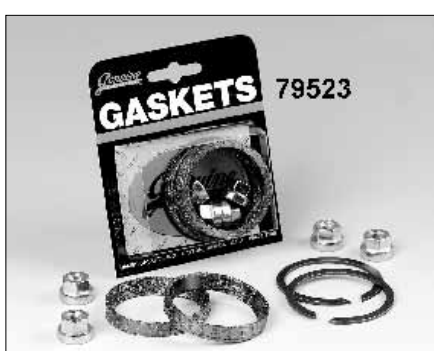
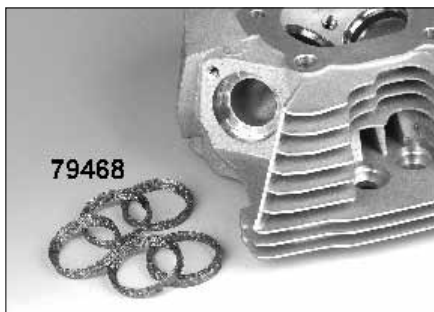
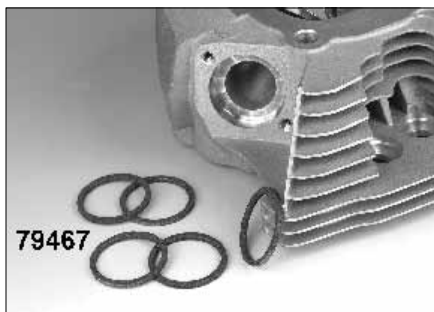
James Sportster Evo Gaskets



James Sportster O-Rings

Preston	James	Year	Description	U/M
79000	11120	04-09	O-ring, engine oil dip stick	10
79028	11133-V2	86-90	O-ring, push rod cover set	kit
79029	11139	L78-90	O-ring, primary filler & inspection caps	25
79031	11145	86-06	O-ring, push rod cover at tappet guide	25
79032	11145-X	86-06	Quad seal, push rod cover at tappet guide	25
79039	11165	84-on	Quad seal, left side transmission spacer	25
79041	11167A	86-90	O-ring, upper tappet guide	25
79042	11168A	86-90	O-ring, lower tappet guide	25
79049	11171	91-on	O-ring, inspection covers (also 86-91 starter motor)	25
79047	11176	91-99	O-ring, tappet pin cover	25
79052	11190	91-09	O-ring, Viton, push rod cover to head	25
79053	11190-V2	91-03	O-ring, push rod cover seals	kit
79046	11377	04-08	O-ring, push rod tube cover to tappet block	10
79584	11377-K	04-08	Gaskets & seals, with RCM tappet gaskets	kit
79096	25463-94	94-03	O-ring, clutch cover derby	10
79164	27121-89	88-on	O-ring, cv carb float bowl	10
79165	27157-89	89-91	O-ring, carb drain screw	10
79168	27324-83	83-89	O-ring, float bowl to carb	5
79014	27444-00Y	00-09	O-ring, Viton, starter to crank	5
79348	35151-74	74-on	Oil seal, engine sprocket	5
79363	37101-84	86-05	Oil seal, shifter shaft	ea
79097	37107-06	06-09	Oil seal, shift lever	5
79411	47519-83A	85-99	Oil seal, .411" wheel	5
79435	61109-85C	85-on	O-ring, fuel cap	10

James Sportster Gaskets



Exhaust Gaskets

- 79467** Mesh exhaust rings to head 1984-08 (65324-83)(10)
- 79468** Graphite rings to head 1992-08 (65324-83-A) (5 pk)
- 79501** Copper crush ring kit 1984-08 (65324-83-KCR2)
- 79522** Square compress/gasket kit 84-08 (65324-83-KW2)
- 79523** Tapered as above (65324-83-KWG2)
- 79833** Exhaust mounting kit 1986-08 (EV-1)



79383



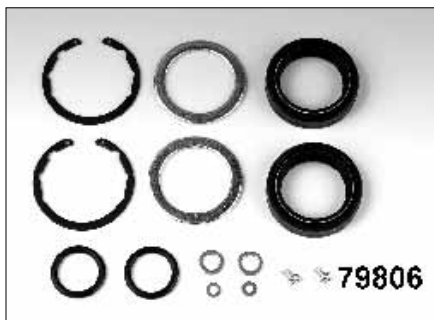
79384



79386

XL Fork Leg Components

- 79383** 39mm seal 1987-on (45378-87) (ea)
- 79384** 35mm seal 1983-86 (45387-83) (ea)
- 79386** Oil seal, fork tube dust cover, 88-on (45401-87) (ea)
- 79394** Copper washer, drain 1996-09 (45398-96) (10)



XL Fork Seal Kits

- | PCP | Description |
|--------------|---------------------------|
| 79806 | 35mm 1984-87 (45849-84-A) |
| 79807 | 39mm 1988-91 (45849-87) |
| 79834 | 1996-09 (45849-96) |

